

Brandt

FR

CS

DA

DE

EL

EN

ES

FI

IT

NL

NO

PL

PT

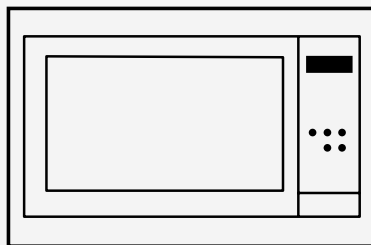
SK

SV



USER INSTRUCTIONS EN

MICROWAVE OVEN



CZ2100028



BYCert.6011825

Dear Customer,

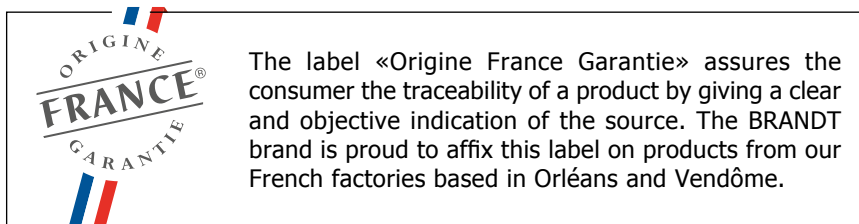
You have just acquired a **BRANDT** product and we would like to thank you.

We have designed and made this product with you, your lifestyle and your requirements in mind so that it meets your expectations. We have devoted our know-how, our innovative spirit and the passion that has been guiding us for over 60 years.

In an effort to ensure that our products meet your requirements in the best possible way, our Customer Relations department is at your disposal, to answer all your questions and to listen to all your suggestions.

Visit our website **www.brandt.com** where you will find our latest innovations, as well as useful and complementary information.

BRANDT is delighted to assist you every day and hopes you get the most out of your purchase.



<http://www.brandt.com/>



Important : Before using your appliance, read this user guide carefully to familiarise yourself more quickly with its operation.



SAFETY INSTRUCTIONS	4
ENVIRONMENT AND ENERGY SAVING	7
Environment.....	7
Energy saving tip	7
INSTALLING YOUR APPLIANCE	8
Choice of location and installation	8
Electrical connection	10
DESCRIPTION OF YOUR APPLIANCE	11
Presentation of the oven	11
Display and control keys.....	11
Accessories	12
USING YOUR DEVICE	13
Settings	13
Settings menu	13
Cooking modes	14
Starting a cooking	15
CARING FOR YOUR DEVICE	17
Interior - exterior cleaning	17
ANOMALIES AND SOLUTIONS	17
AFTER-SALES SERVICE	18
Interventions	18
COOKING AID	19
Functional aptitude tests	19



SAFETY INSTRUCTIONS

IMPORTANT SAFETY INSTRUCTIONS - READ CAREFULLY AND RETAIN FOR FUTURE USE.

This user guide is available for download on the brand's website.



Important:

Before switching your appliance on, please read this installation guide carefully to familiarise yourself quickly with its operation. Keep this manual with the appliance. If you sell or give the appliance to someone else, make sure that you also give them this manual.

Please read these instructions before installing and using your appliance. They have been written for your safety and the safety of others.

— This appliance is designed to be used for domestic and similar applications such as:

kitchen areas for the staff of shops, offices and other professional premises; farms; use by customers in hotels, motels and other residential environments; guest house type environments.

— This appliance may be used by children aged 8 years and older, and by persons with impaired physical sensory or mental capacities, or without experience or knowledge, if

they are supervised or have received prior instructions on how to use the appliance safely and have understood the risks involved. Children must not be allowed to play with the appliance. The appliance should not be cleaned or maintained by children unless supervised.

— Children should be supervised to prevent them from playing with the appliance.



WARNING:

Accessible parts of the appliance become hot during use. Be careful not to touch the heating elements inside the oven. Children under 8 years of age should not be allowed near the appliance, unless they are constantly supervised.

It is dangerous for anyone other than a qualified person to perform maintenance or repairs that requires the removal of the cover providing protection against exposure to microwave power.

If the appliance is being used in combination mode, it is recommended that children only use the oven under adult su-



SAFETY INSTRUCTIONS

pervision, due to the temperatures involved.

— Metal food and beverage containers must not be used when microwave cooking.

— Take care not to move the turntable when removing the containers from the appliance.

— Use only microwave-safe utensils.

— When heating food items in plastic or paper containers, keep an eye on the microwave's contents, since there is a risk of spontaneous combustion.

— If smoke appears, stop or unplug the oven and leave the door closed to smother any flames that may appear.

— Liquids and other foods must not be heated in sealed containers, as they may explode.

Metal food and beverage containers cannot be used for microwave cooking.

— Heating beverages in a microwave oven can cause the sudden and/or delayed spitting of boiling liquid, so care should be taken when handling their containers.

— The contents of baby bottles and baby food jars must be stirred or shaken and the temperature must be checked before consumption, so as to prevent burns.

— Heating eggs in their shells or whole hard-boiled eggs in a microwave oven is not recommended, since they may explode even after cooking has ended.

— This appliance has been designed for closed door cooking.

— A microwave oven is intended for heating food and drinks.

Drying food products or linen or heating heat pads, slippers, sponges, damp clothes or similar could cause injury or fire.



WARNING:

If the door or door seal is damaged, the oven should not be used until it has been repaired by an authorised person.

It is recommended that the oven is cleaned regularly and that any food residue is removed.

— If the appliance is not cleaned regularly, its surface could become damaged, permanently affecting the appliance's service life and possibly causing a safety hazard.

Do not use abrasive cleaners or hard metal scrapers to clean the oven's glass door; they could scratch the surface and cause the glass to crack.



SAFETY INSTRUCTIONS

Do not use a steam cleaner.
The electrical plug must remain accessible after installation.

It must be possible to disconnect the appliance from the power supply, either using a plug or by fitting a switch on the fixed wiring system in accordance with installation rules.

If the power cable is damaged, it should be replaced by the manufacturer, its after-sales service department or by a similarly qualified person in order to avoid danger.

Centre the oven in the unit so as to ensure a minimum distance of 10 mm between the appliance and the surrounding unit. The unit supporting the appliance must be made of heat-resistant material (or covered with a heat-resistant material). For greater stability, attach the oven to the unit with 2 screws through the holes provided on the side panels.

WARNING:

Only allow children to use the oven without supervision if adequate instructions have been given so that the child is able to use the oven safely and understands the dangers of incorrect use.

This appliance is not designed to operate above an oven in pyrolysis mode.

This appliance must be installed at a height of 850mm or more above the ground the ground.

This appliance may be installed in a cabinet column, as shown in the installation diagram.



CARE FOR THE ENVIRONMENT

- This appliance's packing materials are recyclable. Please recycle them and help protect the environment by depositing them in municipal containers provided for this purpose.



- Your appliance also contains many recyclable materials. It is therefore marked with this logo to indicate that used appliances must not be mixed with other waste.

The appliance recycling organised by your manufacturer will therefore be conducted in optimum conditions, in accordance with European directive 2002/96/EC on electrical and electronic equipment waste.

Consult your local authority or your retailer to locate your nearest used appliance drop-off points.

- We thank you for your help in protecting the environment.

ENERGY SAVING ADVICE

- Avoid cooking too large portions in the microwave, prefer to cook twice.

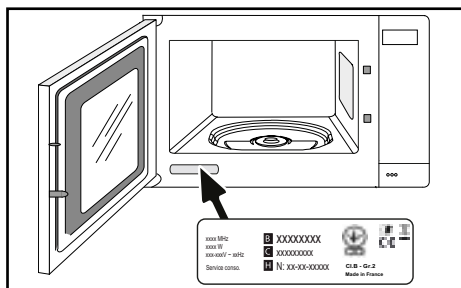
- Avoid foods that require a lot of water for cooking.



Installation

UNPACKING

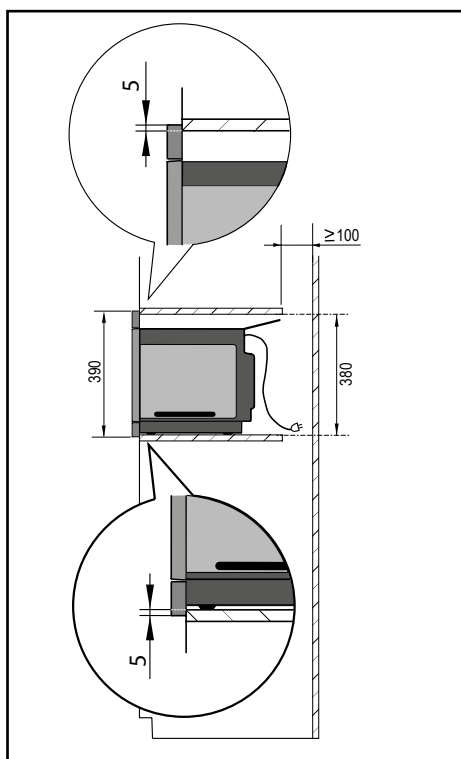
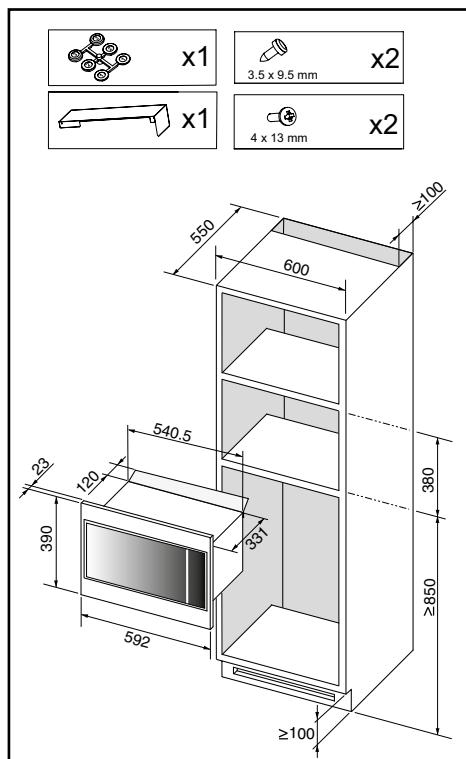
When you receive the appliance, unpack it or have it unpacked immediately. Check its general appearance. Make a note of any reservations on the delivery slip and keep a copy.



CHOICE OF LOCATION AND BUILDING IN

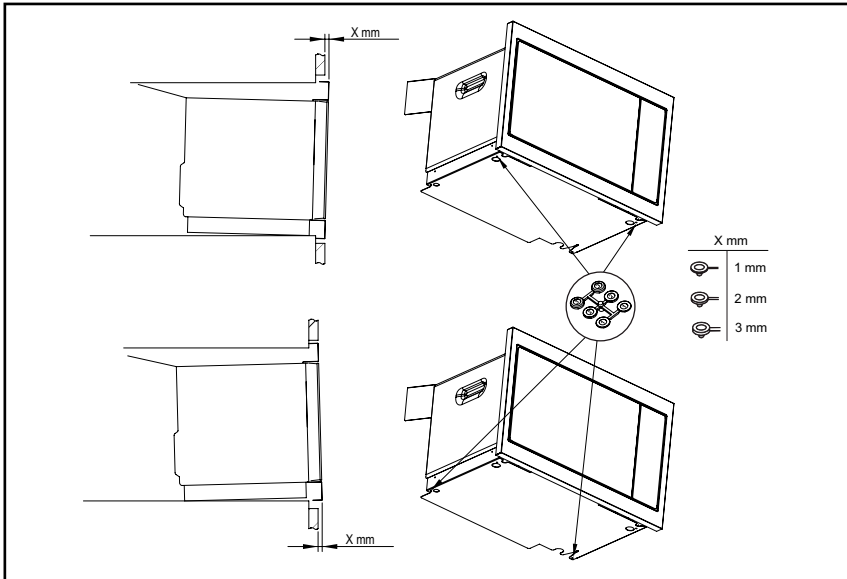
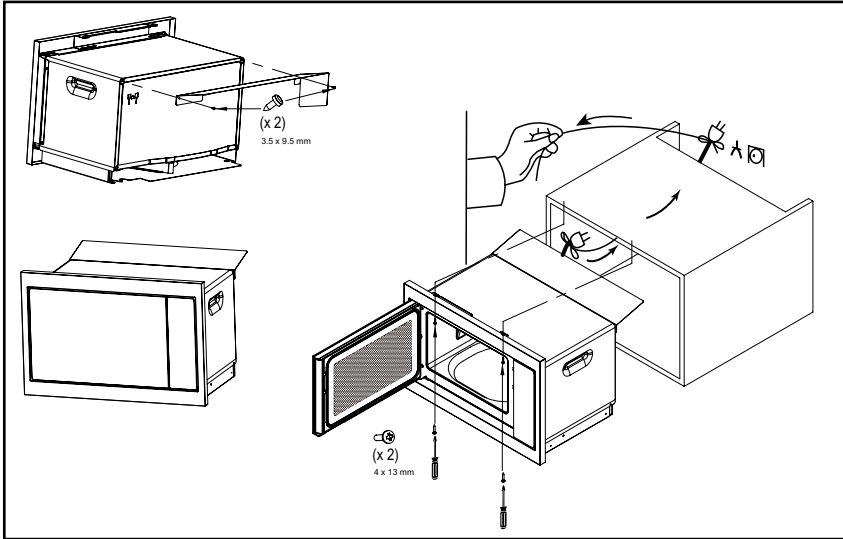
This appliance must be installed in a cabinet column as shown in the installation diagram. Centre the oven in the cabinet so as to ensure a minimum gap of 10mm between the appliance and the surrounding unit. The unit supporting the appliance must be made of heat-resistant material (or covered with a heat-resistant material).

For greater stability, attach the oven to the unit with 2 screws through the holes provided on the side panels.





Installation



Tip

To be certain that you have properly installed your appliance, do not hesitate to call on a household appliance specialist.



Installation

ELECTRICAL CONNECTION

Your oven must be connected with a (standard) power cable with 3 conductors of 1.5mm² (1 live + 1 neutral + earth) which must be connected to a 220-240V_~ single-phase grid by means of a 1 live + 1 neutral + earth CEI 60083 standard power socket or via an all-poles cut-off device in compliance with the installation rules.

Warning

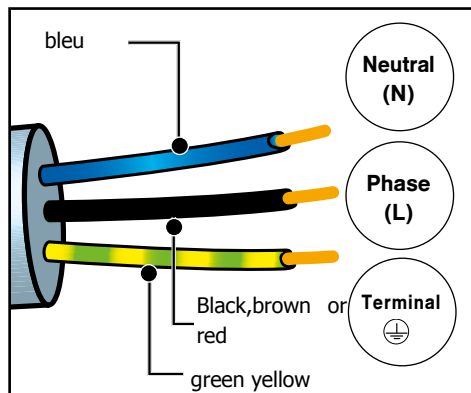
The safety wire (green-yellow) is connected to the appliance's terminal and must be connected to the earth terminal of the electrical set-up.

The fuse in your set-up must be 16 amperes.

We cannot be held responsible for any accident resulting from inexistent, defective or incorrect earthing.

Tips

Do not use your appliance immediately (wait approximately 1 to 2 hours) after moving it from a cold location to a hot location, as the condensation may cause a malfunction.

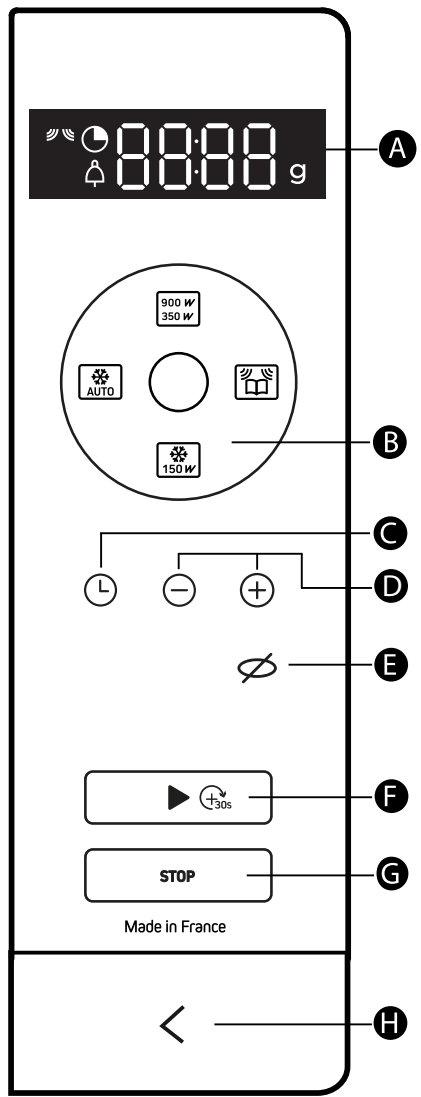




Description of the oven

THE CONTROL PANEL

- A The display :**
simplifies programming by displaying the function, cooking time, weight or clock time :
 - Micro-wave indicator
 - Programming time and clock indicator.
 - Timer indicator.
 - Weight indicator.
- B The 4 program-selection's keys :**
is used to set the clock time or access the timer.
- C The clock key :**
is used to set the clock time or access the timer.
- D The + et - keys :**
are used to set the weight, program cooking time and the timer.
- E The stop turntable key:**
stops and re-starts the turntable.
- F The start key / +30 seconds :**
starts any program.
Each press on this key adds an additional 30 seconds of cooking.
- G The cancel key :**
a press on this key stops the cooking or programming in progress.
- H The door open key**





Description of the oven

THE ACCESSORIES

• The turntable

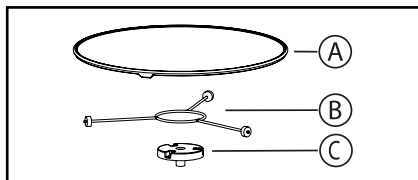
The turntable (A) ensures that food cooks evenly without further attention.

It rotates in both directions. If it does not turn, check that all components are properly positioned. It may be used as a cooking dish. For easy removal, recesses are provided on both sides.

Rotation is controlled by the drive hub (C).

If you take out the support with the drive hub, make sure you do not let water get into the motor shaft orifice.



Remember to put back the support, the support wheels (B) and the turntable.



When the turntable is in the stopped position, large dishes can be used which cover the entire surface of the oven. In this case, it is necessary to turn the container or mix its content half-way through the program

Turntable management

If you feel there is insufficient space to rotate freely in the oven, you can stop the turntable before or during the execution of a program.

You may stop or start the turntable by pressing . The  symbol flashes in the display with the word OFF, telling you to stop the turntable.

OPERATING PRINCIPLE

Microwaves used for cooking are electromagnetic waves. They are commonly found in our environment in the form of radio waves, light and infra-red rays.

Their frequency is in the 2450MHz range.

Their behaviour:

- They are reflected by metals.
- They pass through any other material.
- They are absorbed by water, fat and sugar molecules.

When food is exposed to microwaves, its molecules begin moving rapidly, causing it to heat up.

The depth of penetration of the waves into the food is about 2.5 cm. If the food is thicker, cooking at its centre occurs by conduction just like traditional cooking.

In essence, microwaves are simply causing a thermal change inside the food and are therefore not harmful to health.



Warning :

Do not try to turn it manually, since you could damage the drive system.

If the turntable does not turn properly, check that there is nothing underneath it stopping it from turning.



Description of the oven

SETTINGS

• setting the time

When you switch the oven on or after a power cut, 12:00 flashes.
Set the time using the ⊕ and ⊖ keys and then press the ⌚ key to confirm.

• changing the time


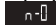
Hold the ⌚ key pressed until the time flashes. Adjust the time with the ⊕ and ⊖ keys and then press the ⌚ key to confirm.
Your appliance will now show the right time.

• Using the timer

Press the ⌚ key and the timer indicator ⏰ is displayed; the time set flashes.
Adjust the time setting using the ⊕ and ⊖ keys and then press the ▶ key to confirm. At the end of the time, an audible signal sounds; press a key to stop it.



The timer function cannot be accessed during cooking.

LOCKING THE CONTROLS

Press the 🔒 key until the  symbol is displayed.
To unlock, hold the 🔒 key pressed until the  symbol disappears from the screen.

SETTINGS MENU

You can adjust a number of settings on your oven:
sounds and demonstration mode.
Hold the ⊕ and ⊖ keys pressed for a few seconds to access the settings menu.

	Key sounds- beeps: ON position, sounds active. OFF position, no sounds
	DEMO mode Position ON, mode active. Position OFF, normal mode.

When "MENU" is displayed, press ▶.
Then navigate between the different parameters by pressing ▶ again and change the selection of the parameter (ON or OFF) by pressing the key ⊕.
The validation is done automatically when you exit the settings menu by pressing STOP.



How to use your appliance

COOKING FUNCTIONS

Fonctions Manuelles

900 W
350 W

Manual cooking (or reheating) :

900 W :

To cook fresh vegetables and soup. To heat up all liquids.

700 W :

To reheat all fresh or frozen pre-cooked dishes and frozen vegetables. To bring pre-cooked dishes and frozen vegetables up to temperature.

500 W :

To cook fish and poultry. To finish programs begun with the «FAST COOK» setting such as beans, lentils or milk-based dishes.

350 W :

To finish programs begun with the «FAST COOK» setting, which might otherwise overcook on the outside, for instance veal or pork roast.

150 W

Manual defrosting :

To defrost meat, fish, fruit, bread or delicate dishes.

Automatic cooking functions



Automatic cooking :

fresh vegetables
fish



Automatic defrosting :

ready meals
meat and poultry
bread
vegetables



How to use your appliance

MANUAL COOKING FUNCTIONS

"Quick" start



- Open the door. Place the food in the appliance, close the door.
You can start cooking for 30 seconds at full power (900W) just by long pressing, then each short press on will add an additional 30 seconds of cooking.



Cooking start (or reheating)

You have at your disposal several microwave powers:
350 W - 500 W - 700 W and 900 Watts.

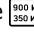


- Select a power by successively pressing the  microwave key until you obtain the desired one. A cooking time flashes in the display. You can change this cooking time with the \oplus and \ominus keys.
- Confirm with the  key, cooking starts, the tray turns and the interior lighting comes on.

Defrosting start (at 150 W)

- Press the  key, a cooking time flashes in the display. You can change this cooking time with the \oplus and \ominus keys.
- Confirm with the  key, cooking starts, the tray turns and the interior lighting comes on.

 **Note :** a beep sounds halfway through the program and **"TURN"** is displayed indicating that the food should be turned over for a better result.
After turning the food over, close the door and press the  key to continue defrosting.

During the program

- You can change the power by pressing the microwave  key (or the  key).
The cooking time is then modified according to the power chosen. You can modify it with the \oplus and \ominus keys.
- If you open the door before the end of a program, close the door and press  key to continue cooking.
- If the door is not closed properly, the appliance will not work.

At the end of a program

- A triple acoustic signal indicates the end of cooking. This signal is repeated every minute for ten minutes; to stop it, open the door.
- The ventilation can continue to operate to cool the oven. This is normal, it will stop automatically.



How to use your appliance

AUTOMATIC COOKING FUNCTIONS

Start cooking or defrosting.

The automatic functions select the appropriate cooking or defrosting parameters for you based on the food to be prepared and its weight.



Cooking



Defrosting

A01 - fresh vegetables

A02 - fish

d01 - ready meals

d02 - meat and poultry

d03 - bread


d04 - vegetables

- Press the cooking key  or defrosting key  depending on the food used.

The program "**01**" corresponding to your choice flashes.

- Press the cooking key (or defrosting key) again to switch from one program to another. A weight is proposed to you, it flashes in the display.


- Enter the actual weight of the food with the \oplus and \ominus keys (in 50 g increments).

- Confirm with the start  key, cooking starts.



Note :

In the functions "**A01**, **d02** et **d03**" a beep sounds at mid-program and "**TURN**" is displayed indicating that the food must be turned over for a better result.

After turning the food over, close the door and press the  key to continue defrosting.



CLEANING THE INNER AND OUTER SURFACES

The use of abrasive products, alcohol or thinners is not recommended as they are likely to damage the appliance. Use a damp sponge and a little soap.

If the oven smells bad or is dirty, boil a cup of water with lemon juice for 2 minutes and clean the walls with a small amount of washing up liquid.

The turntable can be removed for easy cleaning. To remove it, pick it up using the hand-holds provided for the purpose. If you remove the drive hub, take care not to allow water to enter the motor shaft hole. Remember to put back the support, the support wheels and the turntable.

PROBLEMS AND SOLUTIONS

The appliance does not start.

Check that it is plugged in properly.

Check that the oven door is properly closed.

The appliance is noisy and the turntable does not rotate properly.

Clean the wheels and the rolling area under the turntable.

Ensure that the wheels are properly positioned.

You see steam on the window.

Wipe away the condensation with a cloth.

Food is not heated during a microwave program.

Ensure that the utensils are suitable for microwave ovens and that the power level is suitable.

Check that the oven is not in «DEMO» mode (see settings menu)).

There are sparks coming from the appliance.

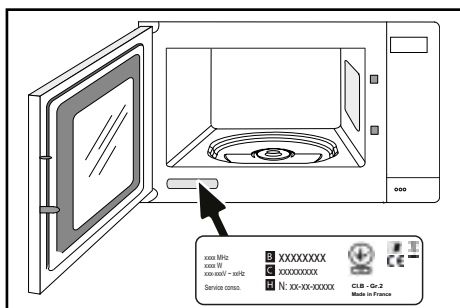
Clean the appliance properly: remove any grease, food deposits, etc.

Remove any metal items from the walls of the oven.



SERVICE CALLS

Any repairs made to your appliance must be carried out by a qualified professional authorised to work on the brand. When calling, please provide the complete references of your appliance (commercial reference, service reference, serial number), so that we can handle your call better. This information appears on the manufacturer's nameplate attached to your equipment.



- B: Product number
- C: Service information
- H: Serial number

GENUINE REPLACEMENT PARTS

During maintenance work, request that only certified genuine replacement parts are used.





PERFORMANCE IN USE

Function performance tests according to IEC/EN/NF EN 60705

The International Electrotechnical Commission, SC.59K, has established a standard for comparative performance tests conducted on various micro-wave ovens. We recommend the following for this appliance:

Test	Load	Approx. time	Power level selector	Cookware/Tips
Custard (12.3.1)	1000 g	16-18 min	500 W	Pyrex 227 On the turntable
Savoie cake (12.3.2)	475 g	7-8 min	700 W	Pyrex 827 On the turntable
Meatloaf (12.3.3)	900 g	12-15 min	700 W	Pyrex 838 Cover with plastic film. On the turntable
Defrosting meat (13.3)	500 g	14-15 min	150 W	On a flat plate On the turntable
Defrosting raspberries (B.2.1)	250 g	7-8 min	150 W	On a flat plate On the turntable

