

EN GUIDE TO INSTALLATION
FR GUIDE D'UTILISATION
PT MANUAL DE UTILIZAÇÃO
DE BEDIENUNGSANLEITUNG
ES MANUAL DE UTILIZACIÓN

CZ NÁVOD K POUŽITÍ
DK INSTALLATIONSVEJLEDNING
SE GUIDE FÖR INSTALLATION
GR ΟΔΗΓΟΣ ΕΓΚΑΤΑΣΤΑΣΗΣ
FI ASENNUSOHJEET

Campana extractora decorativa

Decorative Hood

Hotte decorative

Exaustor decorativo

Dekorative Dunstabzugshaube

Dekoratívni odsavač par

Dekorativ emhætte

Dekorativ spiskåpa

Διακοσμητικός απορροφητήρας

Koristekupu



Brandt

EN	2
FR	24
PT	46
DE	69
CZ	92
DK	114
SE	136
GR	158
ES	184
: =	207

As part of our commitment to constantly improving our products, we reserve the right to make changes to them based on technical advances to their technical and functional features and appearance.



Warning : *Before installing and using your appliance, please carefully read this Guide to Installation and Use, which will allow you to quickly familiarise yourself with its operation.*

1 / NOTICES TO THE USER	
• Safety recommendations _____	4
• Environmental protection _____	9
• Description of your appliance _____	10
2 / INSTALLING YOUR APPLIANCE	
• Using the evacuation mode _____	11
• Using the recycling mode _____	11
• Electrical connections _____	12
• Assembling the hood _____	13
• Assembling the ventilation shaft	
◦ Outdoor evacuation _____	14
◦ Recycling _____	15
3 / USING YOUR APPLIANCE	
• Description of control panel _____	16
4 / CARING FOR AND CLEANING YOUR APPLIANCE	
• Cleaning the filter cartridges _____	17
• Changing the carbon filter _____	17
• Cleaning the outer surfaces _____	18
• Changing the light bulb _____	18
• Maintaining your appliance _____	19
5 / TROUBLESHOOTING _____	20
6 / AFTER-SALES SERVICE _____	21

**Attention**

Keep this user guide with your appliance. If the appliance is ever sold or transferred to another person, ensure that the new owner receives the user guide. Please become familiar with these recommendations before installing and using your appliance. They were written for your safety and the safety of others.

Safety and important precautions

These instructions are also available on the Brandt web site.

Please take heed of this advice when installing and using your appliance.

- In order to constantly improve our products, we reserve the right to make changes to their technical, functional or aesthetic characteristics in line with technological progress.
- Make a note of the references of your appliance on the "Consumer Service" page so that you can readily find them in the future.

Important precautions

- This appliance is designed for use by consumers at home. Do not use it for commercial or industrial purposes or for any other purpose for which it is not intended.
- Unpack the appliance as soon as you receive it. Check its general appearance. Make a note of any reservations on the delivery slip and keep a copy.
- This appliance can be used by children aged under 8 and by persons with diminished physical, sensory or mental capacities, or persons without any experience or knowledge, provided that they are properly attended to or are given the instructions on how to use the appliance in complete safety and that any potential risks are anticipated. Children must not play with this appliance. The appliance must not be cleaned and maintained by unattended children.
- Caution: the accessible parts of this appliance may become hot when used with cooking equipment.

Electrical risks

- All the power supply circuits must be disconnected before touching the connection terminals. If the power cord is damaged, it must be

replaced by the manufacturer, its after-sales service or a similarly qualified person in order to avoid any danger.

- The appliance can be disconnected by using an accessible power outlet or by incorporating a switch in the fixed lines, in accordance with the installation rules.
- Do not change or attempt to change the characteristics of this appliance. Doing so can be dangerous.
- The appliance must only be repaired by an approved specialist.
- Always disconnect the hood before cleaning or maintaining it.
- Never use steam or high-pressure tools to clean your appliance (for the purposes of electrical safety).

Risk of asphyxiation

- The regulations applying to the evacuation of air must be obeyed. The air must not be sent into a duct used to evacuate fumes from appliances that use gas or other fuels (this does not apply to appliances that only emit air into the room).
- The room must be suitably ventilated when the range hood is used at the same time as appliances that use gas or other fuels (this does not apply to appliances that only emit air into the room).

Risk of fire

- It is forbidden to flame food or to turn on gas rings that are not covered by a cooking recipient beneath the hood, as the flames may be sucked in and damage the appliance.
- Keep a constant eye on fryers used beneath the hood. When heated to very high temperatures, oil and fat can catch fire.
- Clean the appliance and replace the filters at

the recommended frequency. Accumulated deposits of grease can cause a fire.

- It is forbidden to use the hood above a fuel fire (wood, coal, etc.).
- If the hood is installed above a gas-fired appliance, leave at least 70 cm between the top of the cooker and the underside of the hood. If the instructions of the cooker installed under the hood specify a distance greater than 70 cm, then this distance must be respected.

**Warning**

In the case of a kitchen heated by a device connected to a chimney (a stove, for example) the “recycling” version of the hood should be installed. Do not use the hood without metal filters.

Suitable ventilation should be provided in the room when the hood is used at the same time as appliances operated by gas or another combustible fuel.

• ENVIRONMENTAL PROTECTION

— This appliance's packaging material is recyclable. Help recycle it and protect the environment by dropping it off in the municipal receptacles provided for this purpose.

— Your appliance also contains a great amount of recyclable material. It is marked with this label to indicate the used appliances that should not be mixed with other waste. This way,



the appliance recycling organised by your manufacturer will be done under the best possible conditions, in compliance with European Directive 2002/96/EC on Waste Electrical and Electronic Equipment. Contact your town hall or your retailer for the used appliance collection points closest to your home.

— We thank you doing your part to protect the environment.

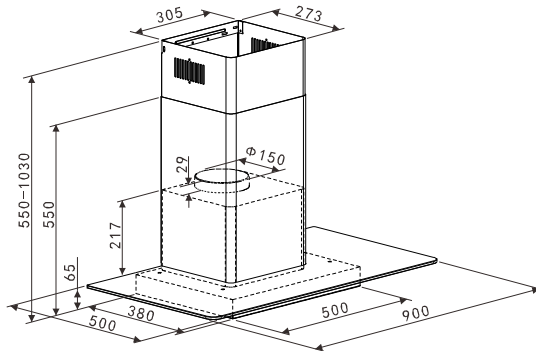
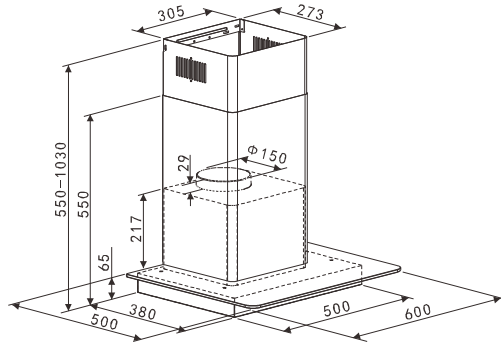
**Warning**

Installation should only be performed by installers and qualified technicians.

**Warning**

Remove the protective film from the cartridge filter before use.

- DESCRIPTION OF YOUR APPLIANCE



- The appliance must be unplugged during installation or when any repairs or maintenance work is being performed.
- Ensure that the network voltage corresponds to the voltage noted on the identification plate located inside the hood.
- If the electrical installation at your residence requires any changes in order to hook up your Appliance, call upon a professional electrician.
- If the hood is being used in evacuation mode, do not connect the appliance to a combustion gas exhaust duct (boiler, chimney, etc.) or to a CMV (controlled mechanical ventilation) system.
- The exhaust duct shouldn't empty into the attic under no circumstances.
- Install the hood at a safe distance of at least 70 cm from an electric, gas or combined cooking hob.

• USING THE EVACUATION MODE

If you possess an outlet to the exterior
(pic. 1)

Your hood can be connected to this outlet using a flue (minimum diameter Ø mm that is enamelled, in aluminium, flexible or made of inflammable material). If your flue is less than 125 mm in diameter, **you must use the recycling mode.**

• USING THE RECYCLING MODE

If you do not possess an outlet to the exterior
(pic. 2)

All of our appliances can be used in recycling mode.

In this case, you should add an active carbon filter which will keep in odours. (See Chapter 4: Changing the carbon filter.)



Advice on how to save energy

To make optimal use of your appliance, keep the length of the duct and the number of bends in the duct to a strict minimum.

• ELECTRICAL CONNECTIONS

During installation and maintenance operations, the appliance must be unplugged from the electrical grid; fuses must be cut off or removed.

The electrical connections are made before the appliance is installed in its housing.

Ensure that:

- the electrical installation has sufficient voltage,
- the electrical wires are in good condition,
- the diameter of the wires complies with the installation requirements.



Warning

This appliance is delivered with a H 05 VVF power cord that has three- 0.75 mm² conductors (neutral, phase and ground). It must be connected to the main power supply (which should be a 220-240 V single phase current) via a CEI 60083 standardised socket that should remain accessible after installation, in keeping with installation guidelines.

We cannot be held responsible for any accident resulting from an inexistent, defective or incorrect ground lead. The fuse for your installation must be 10 or 16A. If the power cable is damaged, call the after-sales service department in order to avoid danger.



Warning

If the electrical installation at your residence requires any changes in order to hook up your appliance, call upon a professional electrician.



Warning

If the hood displays any malfunctions, unplug the appliance or remove the fuse corresponding to the electrical socket where your appliance is plugged in.

• ASSEMBLING THE HOOD



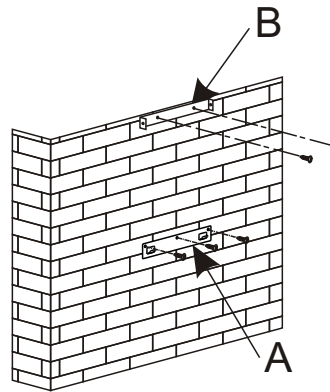
Warning

The hood must be installed in compliance with all applicable regulations concerning the ventilation of premises. In France these regulations are described in DTU 61.1 from the CSTB. In particular, the evacuated air should never be conveyed to a duct used to evacuate smoke from appliances that use gas or other combustible fuels. Unused ducts may only be used after approval from a competent specialist.

The minimum distance between the cooking surface and the lowest part of the hood must be 70 cm at least. If the instructions for the hob installed under the hood specify a distance of more than 70 cm, this requirement must be respected.

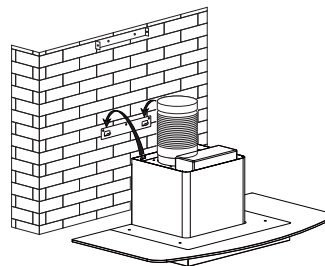
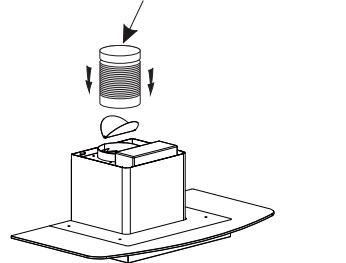
Fixing to the wall :

- Mark a vertical line on the wall centred on the cooktop.
- Mark on the wall the three holes that have to be drilled, using the supplied hood suspension hook and observing the recommended distance.
- Drill the three 8 mm diameter holes in a suitable position and insert the plugs (part A Pic. 1).
- Before fixing the hood, mount the non-return valve on the motor outlet -Secure the hood's fixing support, ensuring that it is perfectly level. (part A Pic. 1)
- Fix the extendable evacuation tube (not included) to the motor outlet without impeding the movement of the non-return valve.
- Fit and secure the body of the hood on this support with the screws provided for this purpose (Pic.2).



Pict 1

Expandable tube (not supplied)

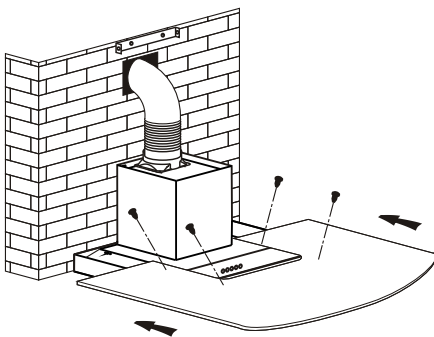
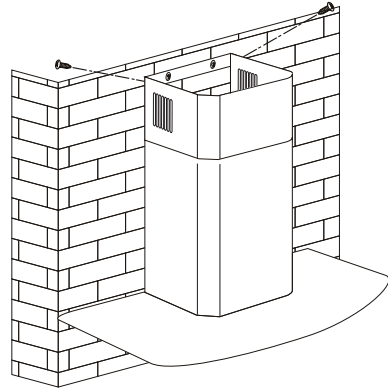


Pict 2

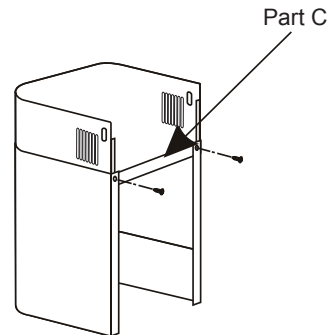
• **ASSEMBLING THE VENTILATION SHAFT**

• **Outdoor evacuation**

- Calculate the final height for fixing the duct support U-bracket (part B Pic. 1)
- Mark the two holes accordingly
- Drill 8 mm diameter holes and secure the duct support bracket, ensuring that it is fixed on the same axis as the hood (part B Pic. 1)
- Fix the flat bracket behind the lower duct. (part C Pic. 4).
- Place the glass on the guides. Slide the glass in and secure it with the 4 screws with rubber seal (glass safety). Tighten the crews slightly (Pic. 3).
- Fix the two ducts to the hood.
- Connect the tube to the air outlet to the outside.
- Make the electrical connection to the hood using the mains supply cable.
- Lift the upper duct up to the ceiling and fix it to the bracket using the screws.



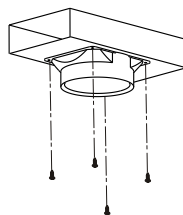
Pict 3



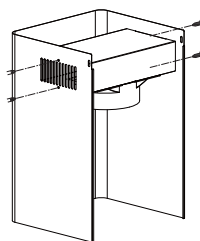
Pict 4

• Recycling

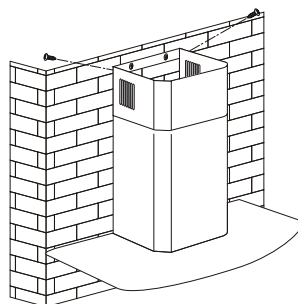
- Calculate the final height for fixing the duct support U-bracket (part B Pic. 1).
- Mark the two holes.
- Drill 8 mm diameter holes and secure the duct support bracket, ensuring that it is fixed in the same axis as the hood (part B Pic. 1).
- Fix the flat bracket behind the lower duct part C Pic. 4).
- Place the glass on the guides. Slide the glass in and secure it with the 4 screws (Pic. 3).
- Fit the tube adapter on the deflector (Pic. 8).
- Connect the extendable sleeve (not included) to the deflector (Pic. 8).
- Fit the two parts of the duct on to the hood.
- Fit the deflector (Pic. 8) into the upper duct by the ventilation inlets (Pic. 6)
- Make the electrical connection to the hood using the mains supply cable.
- Lift the upper duct up to the ceiling and fix it to the bracket using the two screws (Pic. 7).



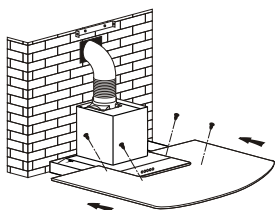
Pict 8



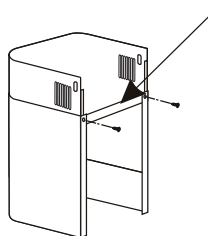
Pict 6



Pict 7



Pict 3



Pict 4



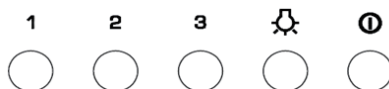
Tip

For optimal use of your appliance, we recommend that you connect the hood to a 150 mm-diameter flue (not delivered with the appliance). Minimise the number of angles and bends and the lengths of the flue. In the event that the hood will be operated using outdoor evacuation, you should ensure a sufficient inflow of fresh air to avoid a pressure deficiency in the room.



Warning

Do not use tools to remove the safety film of hood.

• TO USE YOUR COOKER HOOD

1. Press the button “**ⓘ**”, its inner indicator lights bright, the motor is running at low speed and its indicator lights bright. Press the button “**ⓘ**” again, the indicators light will be off. All the function of the hood will be closed, the hood enters into standby mode.

2. Press the button “1”, its inner indicator lights bright, the motor is running at low speed. Press the button again, the motor stops.

3. Press the button “2”, its inner indicator lights bright, the motor is running at medium speed. Press the button again, the motor stops.

4. Press the button “3”, its inner indicator lights bright, the motor is running at high speed. Press the button again, the motor stops.

5. Press the button “**☀**”, both spot lights start bright. Press the button again, the lights are switched off .

**Advice on how to save energy**

Adjust the speed to the cooking method and the number of pans in use. It is preferable to use the rings at the back of the hob.

**Warning**

Always unplug the hood before cleaning it or performing other maintenance acts. Regular maintenance of your appliance is a guarantee of proper functioning, good performance and durability.

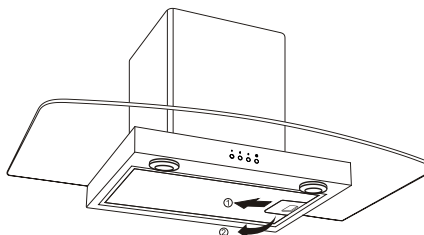
**Warning**

Failure to respect the guidelines for cleaning the appliance and filters may cause fires. Please carefully adhere to the maintenance recommendations.

• CLEANING THE FILTER CARTRIDGES

They must be cleaned after approximately 30 hours of use or at least once a month. These filters can be cleaned in a vertical position in your dishwasher.

Use a brush, hot water and mild detergent. Rinse and dry them thoroughly before returning them to the hood.



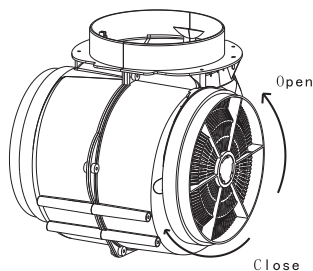
• Dismantling the filter cartridge

- Turn the built-in filter cartridge handle.
- Tilt the filter cartridge downward.

• CHANGING THE CARBON FILTER (optional)

Replace it after approximately 120 hours of use.

- Remove the carbon filter by turning it as shown on the drawing.
- Do the operation in the reverse order to put a new filter back.



- ***CLEANING THE OUTER SURFACES***

To clean the outside of your hood, use soapy water, but never use abrasive creams, corrosive detergents, scrubbing sponges or brushes. Wipe down with a soft, damp cloth.

- ***CHANGING THE LIGHT BULB***

The lighting system cannot be replaced by the user, contact Customer Service in case of malfunction.

**Warning**

Before carrying out any work, the power supply to the hood must be turned off, either by unplugging it or by using the circuit breaker switch.

- **MAINTAINING YOUR APPLIANCE**

MAINTENANCE	WHAT TO DO	PRODUCTS/ACCESSORIES TO USE
Top surface and accessories	Never use metal scouring pads, abrasive products or excessively stiff brushes.	To clean the body and the lighting port, you should use only commercial household cleaning products diluted in water and then rinse using clean water, drying with a soft cloth.
Filter cartridge	This filter traps fatty vapours and dust. This component plays an important role in ensuring the effectiveness of your hood. In the event of tough stains, use a non-abrasive cream, then rinse with clean water.	Use a commercial household cleaning product then rinse abundantly and dry. These filters can be cleaned in a vertical position in your dishwasher. (Do not allow them to touch dirty dishes or silverware.)
Activated carbon filter	This filter traps odours and must be changed at least once a year depending on your level of use. You should order these filters from your dealer (quoting the reference shown on the identification plate located inside the hood) and note the date the filter was changed.	

SYMPTOMS	SOLUTIONS
The hood is not working...	Ensure that: <ul style="list-style-type: none">• The power is not cut off.• A speed has been selected.
The hood is not operating effectively...	Ensure that: <ul style="list-style-type: none">• The selected motor speed is sufficient for the quantity of smoke and vapours to be cleared.• The kitchen is sufficiently ventilated to allow for fresh air intake.• The carbon filter is not worn (hood operating in recycling mode).
The hood stopped working.	Ensure that: <ul style="list-style-type: none">• The power is not cut off.• The single-pole cut-off device was not activated.

Any maintenance on your equipment should be undertaken by :

- either your dealer,
- or another qualified mechanic who is an authorized agent for the brand appliances.

When making an appointment, state the full reference of your equipment (model, type and serial number). This information appears on the manufacturer's nameplate attached to your equipment.

EN Ecodesign information / Technical product fiche

This device complies with the delegated regulations (EU) 65/2014 and 66/2014 of the European Commission on the eco design requirements and energy labeling of household hoods.

	symbol	Value	Unit
Brand	Brandt		
Model number	BHB1644IX		
Annual energy consumption	AEC	26,0	kWh/annum
Energy efficiency index	EEi	42,6	-
Fluid dynamic efficiency index	FDE	32,6	-
Lighting efficiency index	LE	34,9	-
Grease filtering efficiency	GFE	83,8	-
Time increase factor	<i>f</i>	0,8	-
Maximum volumetric airflow of the cooker hood	Q_{max}	551,8	m ³ /h
Volumetric airflow at best efficiency point	Q_{BEP}	281,6	m ³ /h
Static pressure at the best efficiency point	P_{BEP}	330	P
Power consumption at the best efficiency point	W_{BEP}	79,3	W
Nominal power consumption of lighting system	W_L	3,9	W
Average illumination of the lighting system	E_{middle}	136	Lux/W
Power consumption in off mode	P_o	--	W
Power consumption in standby mode	P_s	0,34	W
Volumetric airflow at the highest speed setting in normal use	-	551,8	m ³ /h
Volumetric airflow at the lowest speed setting in normal use	-	193,1	m ³ /h
Volumetric airflow in intensive or boost mode	-	--	m ³ /h
Sound power emissions at the highest speed setting in normal use	-	64	dB(LWA)
Sound power emissions at the lowest speed setting in normal use	-	42	dB(LWA)
Sound power emissions in intensive / boost mode	-	--	dB(LWA)

	symbol	Value	Unit
Brand	Brandt		
Model number	BHB1944IX		
Annual energy consumption	AEC	25,8	kWh/annum
Energy efficiency index	EEi	42,6	-
Fluid dynamic efficiency index	FDE	33,1	-
Lighting efficiency index	LE	31,8	-
Grease filtering efficiency	GFE	83,8	-
Time increase factor	<i>f</i>	0,8	-
Maximum volumetric airflow of the cooker hood	Q_{max}	536,6	m ³ /h
Volumetric airflow at best efficiency point	Q_{BEP}	284,2	m ³ /h
Static pressure at the best efficiency point	P_{BEP}	329	P
Power consumption at the best efficiency point	W_{BEP}	78,5	W
Nominal power consumption of lighting system	W_L	3,9	W
Average illumination of the lighting system	E_{middle}	124	LUX/W
Power consumption in off mode	P_o	--	W
Power consumption in standby mode	P_s	0,33	W
Volumetric airflow at the highest speed setting in normal use	-	536,6	m ³ /h
Volumetric airflow at the lowest speed setting in normal use	-	189,9	m ³ /h
Volumetric airflow in intensive or boost mode	-	--	m ³ /h
Sound power emissions at the highest speed setting in normal use	-	64	dB(LWA)
Sound power emissions at the lowest speed setting in normal use	-	43	dB(LWA)
Sound power emissions in intensive / boost mode	-	--	dB(LWA)