

Brandt

SEMI INTEGRATED HOOD

AI2260X

USER MANUAL

INSTALLATION INSTRUCTIONS

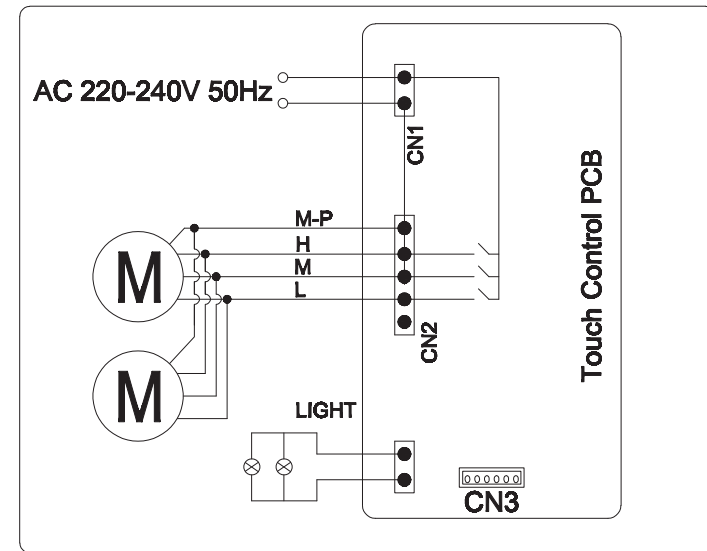
To avoid the risk of accidents or damage to the appliance, it is essential to read these instruction before it is installed or used for the first time.

Table of Contents

- From the Manufacturer 3
- Specifications 3
- SAFETY : Read this First ! 4
- Description of Parts 5
- Re-circulating Mode 6
- Installation 7-10
- Electrical Connection 11
- Operation 12
- Cleaning & Maintenance 13
- Troubleshooting 14
- Schematic Diagram 15

Schematic Diagram

2 motor version



Troubleshooting

Symptoms	Possible Cause	Action
Does not function	No electrical supply	Check that the plug is connected.
		Check that the main switch is turned on.
Poor airflow	Aluminium grease filters clogged	Clean the filters and replace when dry
	Charcoal grease filters clogged	Replace charcoal filters with new sets
Motor running but no airflow	Butterfly valve jammed	Contact technician
Motor cuts after a few minutes	High temperature safety device activated	The kitchen is not sufficiently ventilated
	The hood is installed too near the cooking stove	The hood must be at least 65cm from stove
Strong cooking smell	Charcoal filters not installed	In re-circulating mode, charcoal filters must be installed
Oil dripping onto stove	Aluminium grease filter saturated	Wash the aluminium grease filters
Whirring sound	Foreign object in contact with fan blade	Contact technician

From the Manufacturer

- This appliance and its packaging are produced by processes that minimize waste and respect the environment.
- Please help us to continue the protection of the environment by disposing of the packaging in a correct manner.
- **Safety !**
- Please do not allow young children to play with the plastic bag packaging.
- Before disposing of any old appliances, be sure to cut off the power cord so that others will not be endangered by a defective electric appliance.

Specifications

Input : 220-240V 50Hz

Air Flow : 825m³/hr

Absorbion

• 2 motor version : 170W

Lamp : 2 X 1W LED

Total Power

• 2 motor version : 172W

External Dimensions

• 60 version : 600 X 420 X 120mm

SAFETY : Read this First !

- Do not connect the appliance if there are obvious signs of transportation damage.
- Read this user manual thoroughly before attempting to use this appliance.
- Installation and repair should be attempted only by qualified technical personnel.
- It is dangerous to modify any part of this appliance.
- The manufacturer declines all responsibility in case of failure to adopt proper safety measures.
- Ensure the location in which this appliance is installed has good, permanent ventilation.
- The cooker hoods should be placed at a distance of 65-75cm from the cooking surface for best effect. **if the cooktop is gas, 65-75cm is calculated from the top of the pot stand.
- Use an electrical connector with earth that is correct for your location.
- Check that the voltage in your area is correct before plugging in.
- The electrical connection of this appliance must be connected to earth.

Green & yellow	=	EARTH
Blue	=	NEUTRAL
Brown	=	LIVE

- Multiple plugs and extension cables must not be used. Overload is dangerous and may cause a fire.
- Ensure that the power supply cord is free from any heat source or sharp objects.
- The appliance should be switched off and the electrical supply disconnected before any cleaning or maintenance work can be carried out.

Please remove the plastic cover on the charcoal filter before activating the cooker hood.

Cleaning & Maintenance

SURFACES : Wash with warm soapy water and a soft sponge. Never use abrasive detergent, scouring pads, steel wool or solvents on any part of this appliance as this will cause irreparable damage.

GREASE FILTERS - Maybe one of the following:

Aluminium Filters : Wash in the dishwashers or soak the panels in a degreasing agent for an hour, then rinse off.

CHARCOAL FILTERS (only in re-circulating model) : Charcoal cannot be reused. They must be replaced with the appropriate types once a year or depending on the frequency of appliance usage.

For this appliance to function effectively, regular maintenance is a must.

Clogged filters restrict airflow and may cause the motor to overheat.






** before using , please take note to remove the plastic wrapping and fix back the circular charcoal filter after the wrapper has been removed.

LAMP REPLACEMENT : Before attempting to replace the light bulb, make sure that the light switch is turned off. Remove the grease filter to access the lamp area. Remove the damaged LED and replace with LED maximum 1 W.

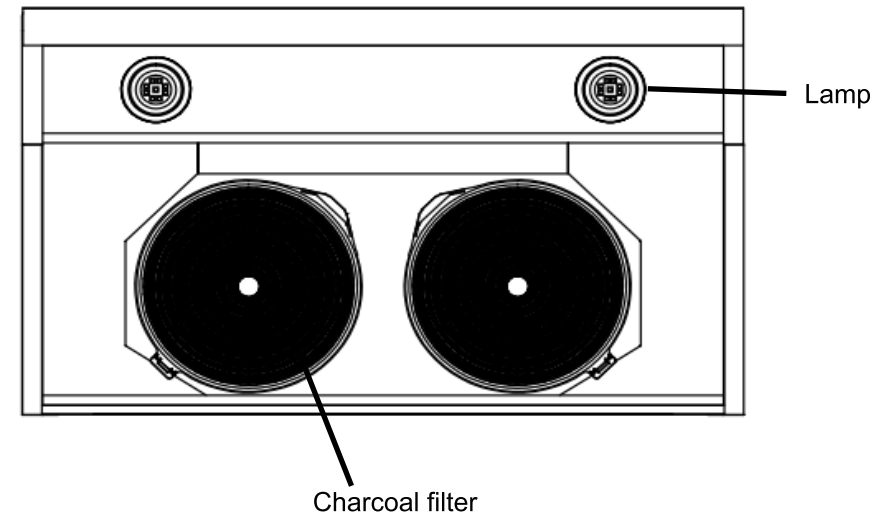
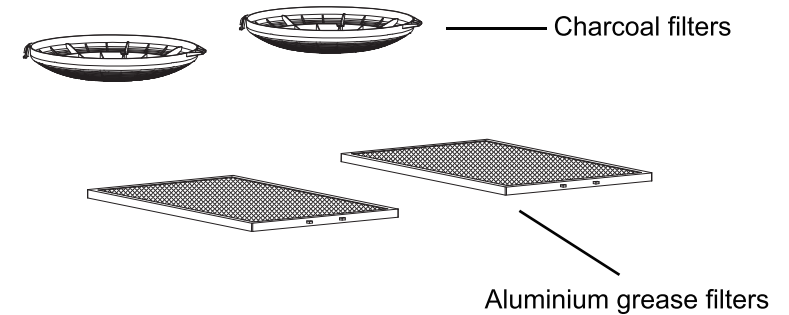
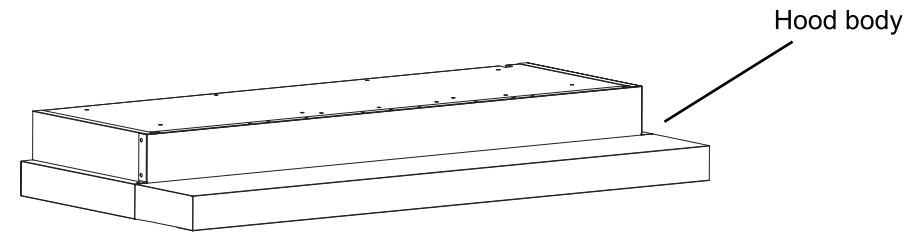
Operation



The hood is equipped with 3 speed control. Electronic control buttons are located on the front edge of the range hood canopy or enrichment panel.

-  **Light On/Off Button**
Switch the lighting system on and off.
-  **Blower On/Off and Low Speed Button**
Switches the extractor motor on and off at low speed. Used to provide a continuous and silent air change in the presence of light cooking vapors.
-  **Blower On/Off and Medium Speed Button**
Switches the extractor motor on and off at medium speed. Suitable for most operating conditions given the optimum treated air flow/noise level ratio.
-  **Blower On/Off and High Speed Button**
Switches the extractor motor on and off at high speed. Used for eliminating the highest cooking vapors emission.
-  **Blower Off with Delay Timer Button**
Switches the extractor motor off at the selected speed with 3-15 minutes (3 minutes increment) delay to off the blower automatically. Press the button for the sixth time to cancel the timer function.

Description of Parts

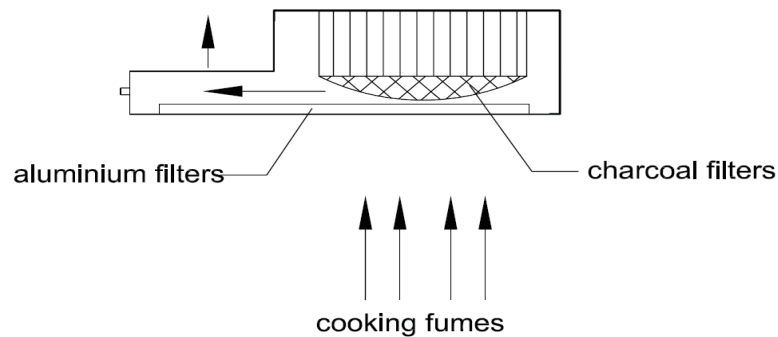


Re-circulating Mode

Your cooker to be configured to operate in the re-circulating mode :-

RE-CIRCULATING MODE

- Fumes are filtered for grease and odor through the aluminium filters and the charcoal filters respectively and re-introduced into the kitchen environment.



Caution:

Please remove plastic wrap for the charcoal filter before use.

Electrical Connection

Before completing any connection, make sure the house voltage corresponds with the voltage indicated on the label affixed inside the hood.

It is advisable to call a qualified technician to make the electrical connection.

Appliance fitted with plug

Connect it to a socket which conforms with current regulations.

If you intend to connect it directly to the electric mains, remove the plug and fit an approved bipolar switch with a minimum contact opening of not less than 3mm.

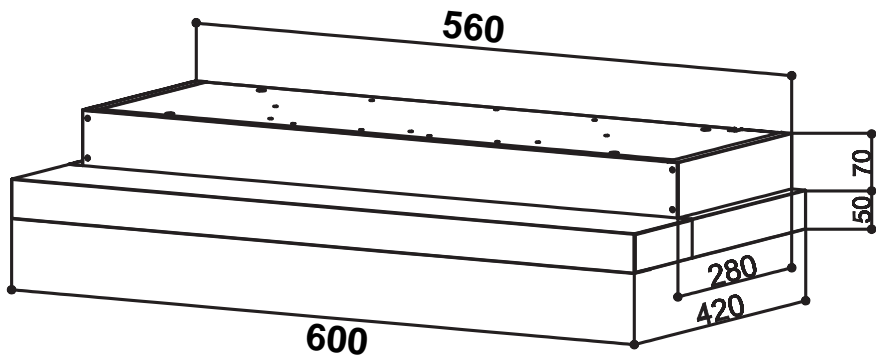
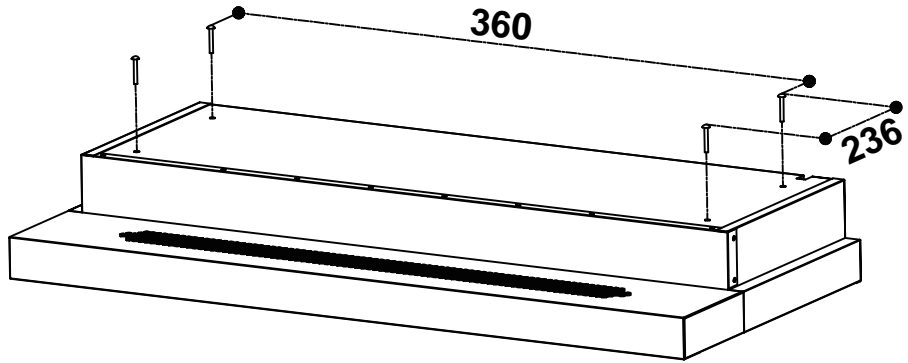
If the plug is not accessible once it has been inserted in the socket, it will however be necessary to fit an approved bipolar switch with a minimum contact opening of no less than 3mm.

Appliance without plug

Fit an approved plug or an bi-polar switch with a minimum contact opening of no less than 3mm.

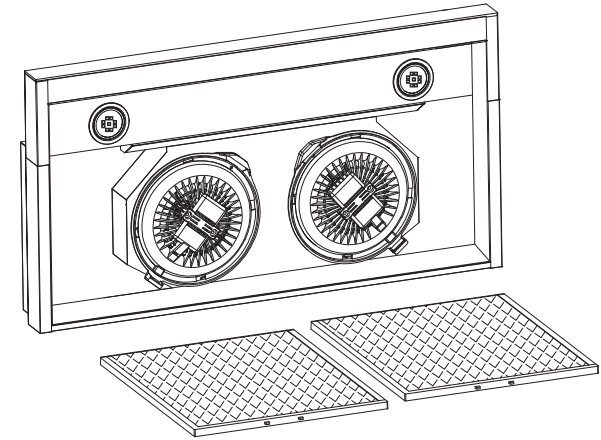
The manufacturer are not liable for any problems caused by the user's failure to observe the above instructions.

Installation (3)

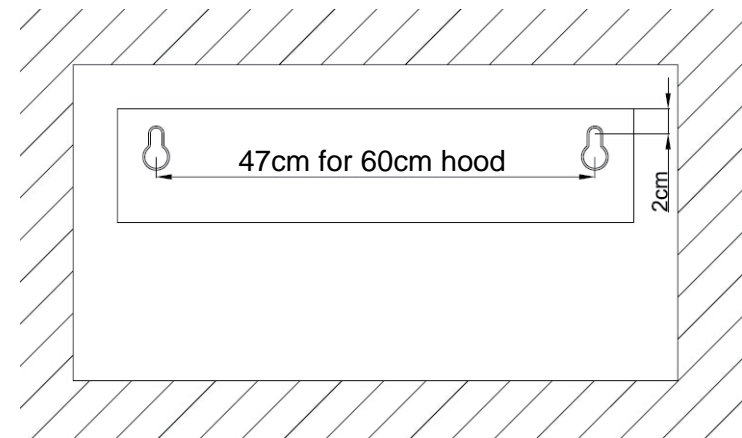


Installation (1)

STEP 1 : Remove the aluminium filters and place them in a safe location to avoid damage.

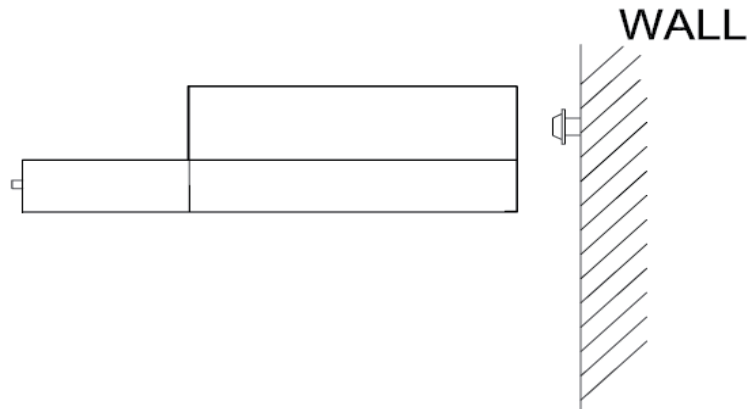


STEP 2 : Before install the 2 screws on the wall, please use the provided 1:1 installation template for installation.



Installation (1)

STEP 3 : Hang the hood on the 2 screws.



STEP 4 : Tighten the 2 screws completely.



Installation (2)

