

Brandt

COOKER HOOD USER MANUAL INSTALLATION INSTRUCTION

AD9905B

To avoid the risk of accidents or damage to the appliance
it is essential to read these instructions before
it is installed or used for the first time.

■ Table of Contents

● From the Manufacturer	1
● Specifications	1
● SAFETY: Read this First!	2
● Vent System Requirements	3
● Description of Parts	4
● Ducting vs. Re-circulating mode	5
● Re-circulating mode air outlet	6
● Installation	7
● Electrical Connection	12
● Operation	13
● Auto Linkage System	14
● Cleaning & Maintenance	15
● Troubleshooting	17
● Schematic Diagram	18
● Dimension Drawing	18

■ From the Manufacturer

- This appliance and its packaging are produced by processes that minimize waste and respect the environment.
- Please help us to continue the protection of the environment by disposing of the packaging in a correct manner.

■ Safety!

- Cling film, polystyrene and plastic wrappings must be kept out of reach of babies and young children, to avoid the danger of suffocation.
- Electrical and electronic appliances often contain materials which, if handled or disposed incorrectly, could be potentially hazardous to human health and environment. Please do not dispose of your old appliance with your household waste.

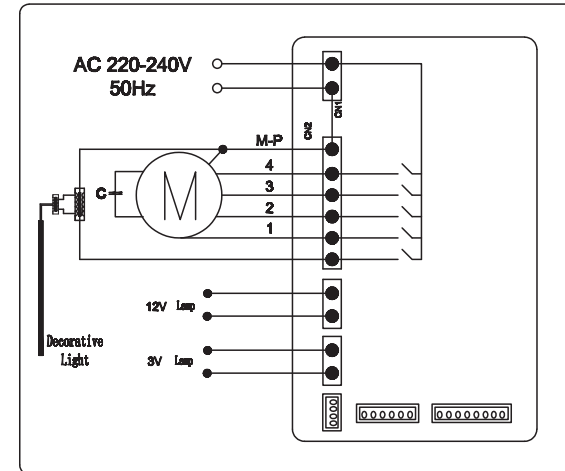


- Please dispose it at your local community waste collection / recycling centre and ensure that it presents no danger to children while being stored for disposal.
- It should be unplugged or disconnected from the mains electricity supply by a competent person. If connected by a plug, the plug must be rendered useless and the cable cut off directly behind the appliance to prevent misuse.

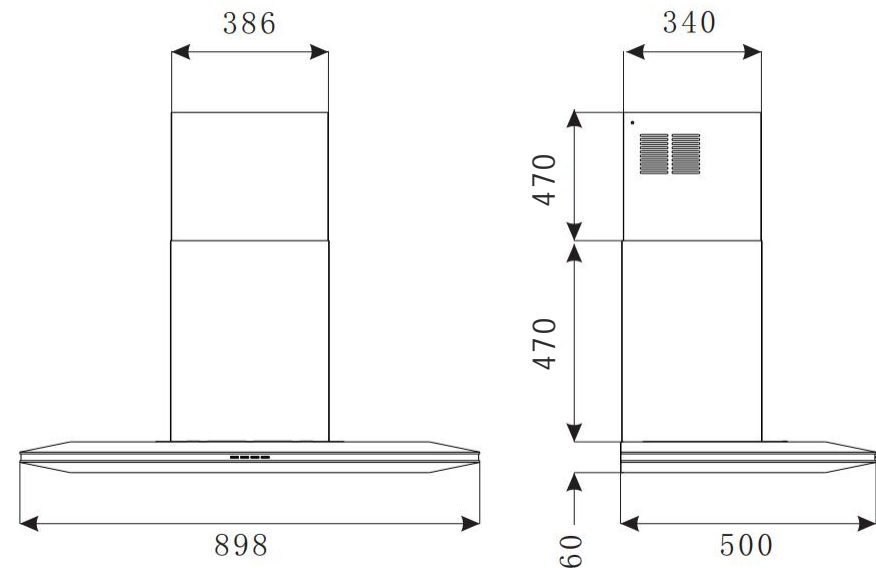
■ Specifications

- Input : AC 220-240V 50Hz
- Motor : 1 x 220 W
- LED Light : 1 x 5W
- Total Power : 225 W
- Flow rate : 1300m³/h

■ Schematic Diagram



■ Dimension drawing



■ Troubleshooting

Symptoms	Possible Cause	Action
Does not function	No electrical supply	Check that the plug is connected.
		Check that the main switch is turned on.
Poor airflow	Aluminium grease filters clogged	Clean the filters and replace when dry
	Charcoal grease filters clogged	Replace charcoal filters with new sets
Motor running but no airflow	Butterfly valve jammed	Contact technician
Motor cuts after a few minutes	High temperature safety device activated	The kitchen is not sufficiently ventilated
	The hood is installed too near the cooking stove	The hood must be at least 65cm from stove
Strong cooking smell	Charcoal filters not installed/ are not operating optimally	In recirculation mode, charcoal filters must be installed. Otherwise, if charcoal filter is clogged, replace the charcoal filter
Oil dripping onto stove	Aluminium grease filter saturated	Wash the aluminium grease filters
Whirring sound	Foreign object in contact with fan blade	Contact technician

■ SAFETY : Read this First !

- Check the appliance for damage before and after unpacking it.
- Do not connect the appliance if it has been damaged.
- Read this user manual thoroughly before attempting to use this appliance.
- This appliance may be used safely if it is correctly installed according to the provided safety instruction by a qualified installer. The installer is responsible for ensuring that the appliance works correctly at its installation location. Brandt Asie Pte Ltd is not liable for damage caused by incorrect installation or connection, and such damages are not covered under warranty.
- It is dangerous to modify any part of this appliance.
- Brandt Asie Pte Ltd is not liable for damages in case of failure to adopt proper safety measures.
- Ensure the location in which this appliance is installed is well ventilated.
- This appliance should not be used to ventilate a room.
- The distance between the bench top to the lower part of the hood is recommended to be between 650mm – 750mm.
- Use an electrical connector with earth that is suitable for your location.
- Check that the voltage in your location is suitable for supply to this product.
- The electrical connection of this appliance must be connected to earth.

Green & Yellow = EARTH

Blue = NEUTRAL

Brown = LIVE

- Multiple plugs and extension cables should not be used in conjunction at a time. Overload is dangerous and may cause a fire.
- Ensure that the power supply cord is away from any heat source or sharp objects.
- The product should be switched off and the electrical supply disconnected before any cleaning or maintenance work is carried out, or if the appliance is unused for extended periods.
- Remove all plastic covers or wrappings on the product and its attachments

(e.g. charcoal filters) before use.

- This product is intended for domestic use and the household environment only. The product is not intended for an outside use or in a commercial setting.
- Do not leave the product unattended during operation. Brandt Asie Pte is not liable for damage caused by improper use or incorrect operation.

■ Vent System

Determine which venting method is best for your application. Vented (non- recirculating) system terminates on the outside. Ductwork may be extended either through the wall or the roof. Do not terminate the vent system in an attic or other enclosed area.

Cleaning & Maintenance

SURFACES : Wash with warm soapy water and a soft sponge. Never use harsh or abrasive cleaning agents, cleaning agents with high alcohol content, hard scouring pads or cleaning sponges or high-pressure cleaners or steam cleaners on any part of this appliance as this will cause irreparable damage.

The length of the ductwork and the number of elbows should be kept to a minimum to optimise performance. The size of the ductwork should be uniform. Do not install two elbows together. Ensure all joints in the ductwork system are sealed well. Use caulking to seal exterior wall or floor opening around the cap.

CHARCOAL FILTER REPLACEMENT

Remove the charcoal filter from the blower as shown.
Fit in the new charcoal filter.

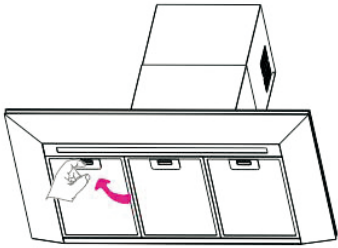


LED LIGHT REPLACEMENT

Before attempting to replace the light bulb, make sure that the light switch is turned off. Remove the grease filter to access the lamp area. Remove the damaged LED light and replace with a LED light maximum 5 W.

■ Cleaning & Maintenance

Decorative Steel Aluminum Filter



SURFACES:

Wash with warm soapy water and a soft sponge. Never use abrasive detergent, scouring pads, steel wool or solvents on any part of this appliance as this will cause irreparable damage.

Decorative Steel Aluminum Filter: Decorative Steel Aluminum Filter should be cleaned frequently in hot detergent solution or washed in the dishwasher. Clean exterior surfaces with a commercially available aluminum cleaner. Abrasives and scouring agents can scratch stainless steel finishes and should not be used to clean finished surfaces.

CHARCOAL FILTERS (only in recirculating model)

Charcoal filters cannot be reused. They must be replaced with the appropriate types once a year or depending on the frequency of appliance usage. For this appliance to function effectively, regular maintenance is a must. Clogged filters restrict airflow and may cause the motor to overheat.

■ Description of Parts

AD9905B

A.Metal Air Outlet (For recirculating mode)

B.Chimney Mouting Bracket (For ducting mode)

C.Upper Chimney Cover

D.Lower Chimney Cover

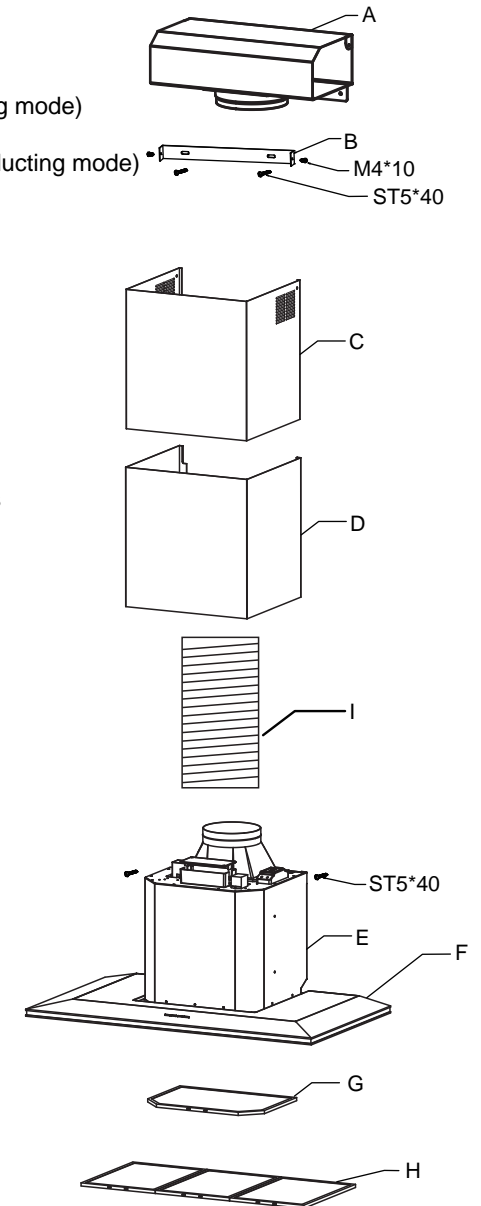
E.Motor Housing

F.Body

G.Aluminum Charcoal Filter

H.Stainless Steel Aluminum Filters

I.Aluminum Pipe



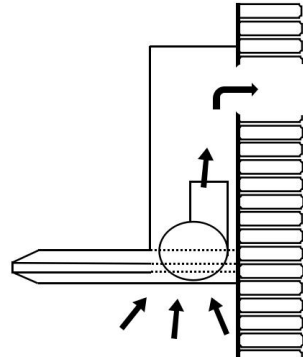
■ DUCTING VS. RECIRCULATING MODE

You can choose to install the hood as a ducting or recirculating mode:

- Ducting mode (Vented mode)

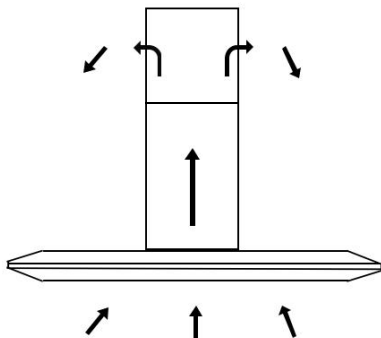
In the ducting mode, air is drawn into the hood, fats are trapped by aluminum filters.

Odors, fumes and condensation are then expelled to the outside. In this mode, only the aluminum filters are installed.




- Recirculating mode

In the recirculating mode, air is drawn into the hood, fats are trapped by the filters, the air then passes through charcoal filters to remove cooking odors, the purified air is then passed back into the kitchen. In this mode, both the aluminium filters and the charcoal filters must be installed.



■ Auto Linkage system



Set-up the hood and hob linkage via the Low Speed Button  on your hood.

- The hood is factory set to non-linked mode.
- If the hood and hob are not linked, operate the hood manually.
 - 1 - Connect the hood to power source, it will beep once.
 - 2 - Press and hold the "low speed" button for approximately 8 seconds until you hear 3 beeps.
 - 3 - When the hood beeps 3 times, the low button light will keep shining, the pairing mode is activated.
 - 4 - Restart hood, by turning off and on the power source. The hood will beep 3 times.
 - 5 - Within 8 seconds, press and hold any of the knobs of the Auto Linked gas hob, you will hear 5 successive beeps.
 - 6 - Connection success
 - 7 - Once the pairing is done, the hood and the lights will turn on automatically
 - 8 - In order to disable the Auto Linkage System, press and hold the "low speed" button for 8 seconds. When the hood beeps once, the Auto Linkage has been closed.


**If you do not hear 5 successive beeps, you will need to restart steps 1-5 again.

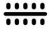
For additional assistance, please call Brandt Asia Pte Ltd for support.

■ Operation




The hood is equipped with 3 speed control. Electronic control buttons are located on the front edge of the cooker hood canopy .

 Light: Press to turn the light on/off.

 Decorative light:

Hold for 3-5s to turn the decorative light On / Off

Speed Controls

 Press once to select Low Suction speed
**If using Auto Linkage mode,press and hold until you hear 3 beeps to link,otherwise,select low speed as normal usage.

 Press once to select Medium Suction speed

 Press once to select High Suction speed

P Press once to select Booster

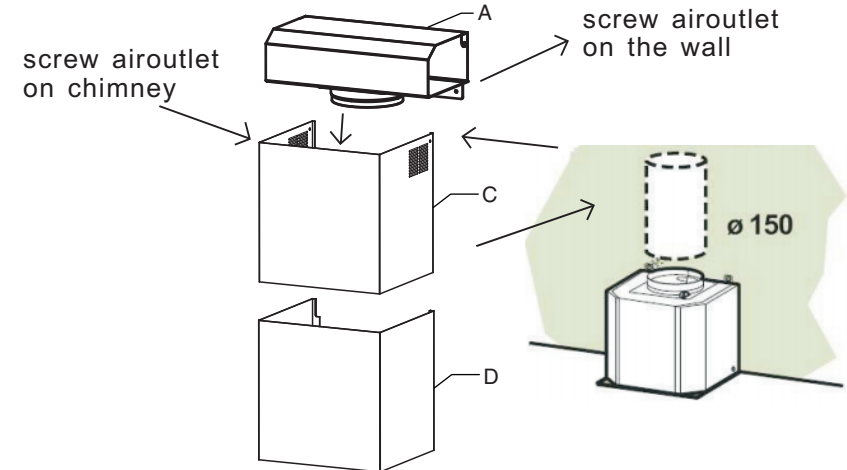
 Delay timer

Press and hold this button for 3~5s to activate the delay timer. The cooker hood will operate for 15 minutes and then switch off automatically.

The hood will “beep” once and the light will turn blue flashing when activated.

■ RECIRCULATING MODE AIR OUTLET

- Insert the connection extension pieces laterally in air outlet connection.
- Make sure that the outlet of the extension pieces is horizontally and vertically aligned with the chimney outlets.
- Connect the air outlet connection to the hood body outlet using either a flexible or rigid pipe with \varnothing 150mm.*
- Ensure that the activated charcoal filters have been inserted.



■ Installation

Safety precautions:

Do not install the cooker hood where there are many doors or windows in order to avoid affecting the exhaust efficiency of the hood caused by air flow.

Install the cooker hood right above the hob. The recommended distance between the hob and the lower edge of the cooker hood is minimum 650mm and maximum 750mm.

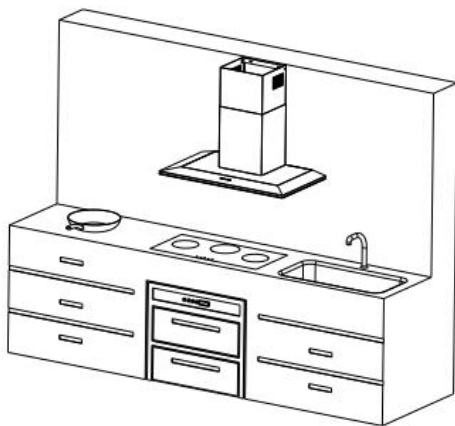
In order to get the optimum performance, do not elongate the exhaust pipe too long, and try to make the bend of exhaust pipe less. Ensure the connection is airtight.

After hanging the unit on the wall, ensure the hood is level and vertical.

The air outlet must not be connected to chimney flues or combustion gas ducts.

The air outlet must under no circumstances be connected to ventilation ducts for room in which fuel-burning appliances are installed.

Installation diagram



■ Electrical Connection

Before completing any connection, make sure the house voltage corresponds with the voltage indicated on the label affixed inside the hood.

Only a licensed professional may connect and install appliances. Damage caused by improper installation is not covered under warranty.

● **Appliance fitted with plug**

Connect it to a socket which conforms with current regulations. If you intend to connect it directly to the electric mains, remove the plug and fit an approved bipolar switch with a minimum contact opening of not less than 3mm.

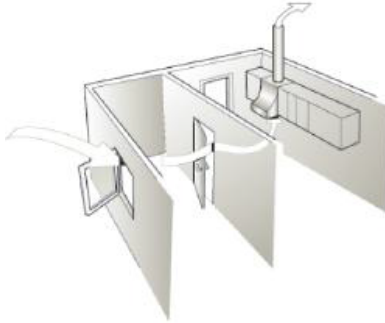
● **Appliance without plug**

Fit an approved plug or a bipolar switch with a minimum contact opening of no less than 3mm.

Direct connection installations must be handled by licensed professionals.

Brandt Asia Pte Ltd is not liable for damages caused by improper handling and installation of the appliance.

3. Try to open the Windows when used the cooker hood so air can flow.



Mounting the hood body

- Before attaching the hood body, tighten the two screws **Vr** located on the hood body mounting points.
- Hook the hood body onto the support screws.
- Fully tighten the support screws.
- Adjust screws **Vr** to level the hood body.

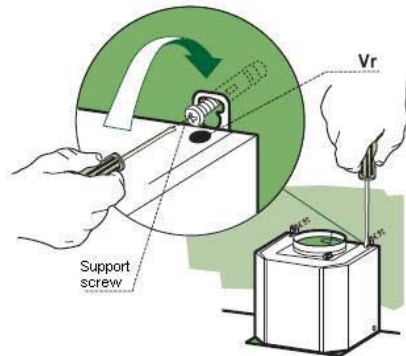
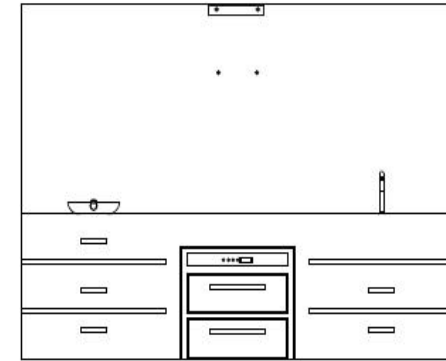


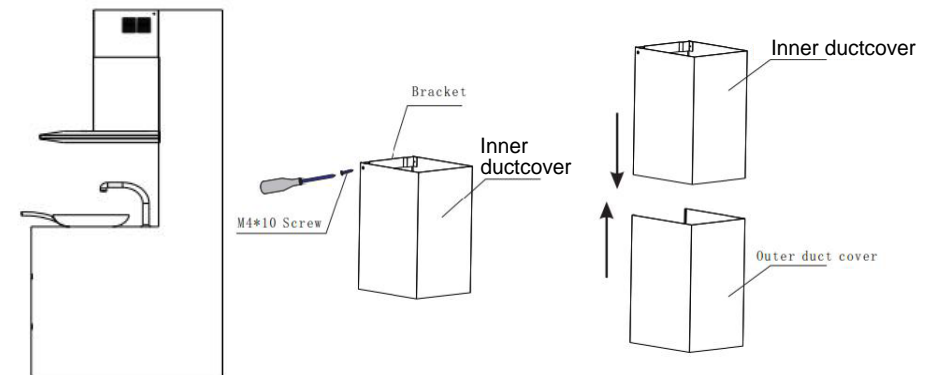
Fig.1

DUCTING MODE

1. Wall drilling and bracket fixing: Secure the sides of the brackets using 4 screws (ST5X40) and screws wall plug (8x40) supplied.

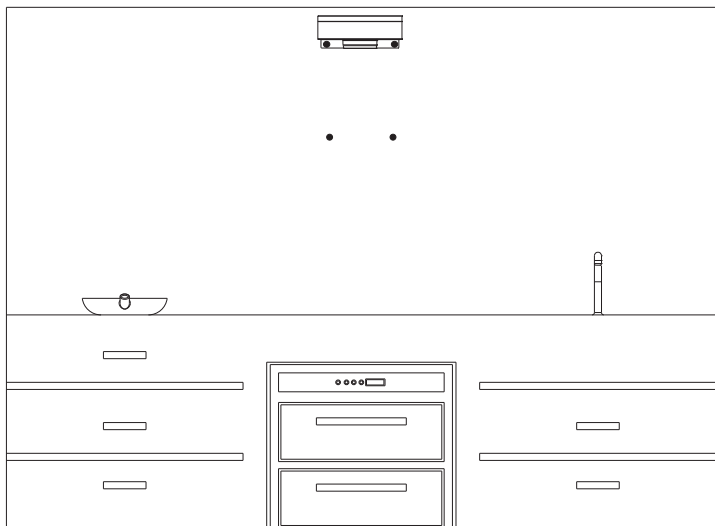


2. Fix the cooker hood and Upper & Bottom chimney in the wall with screws: Secure the sides of the brackets using the 2screws (M4X10) supplied.

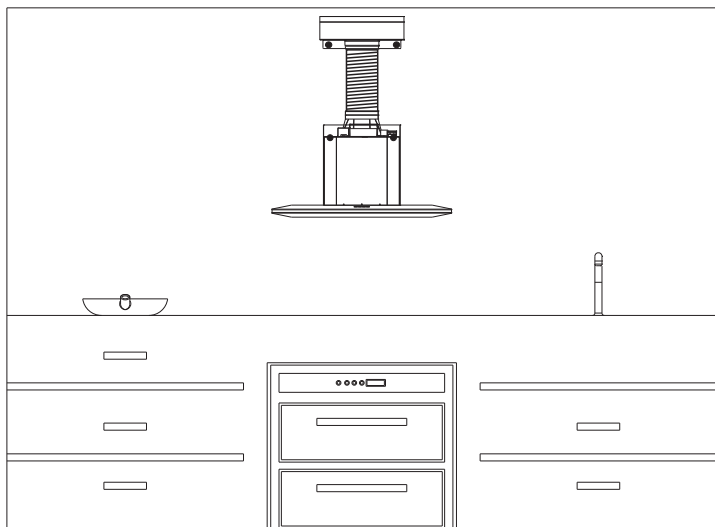


RECIRCULATING MODE

Wall drilling and metal air outlet fixing:secure the sides of the brackets using the 4 screws (ST5 X 40) and the wall plug screws (8x40) supplied).



2.Hook the hood body onto the support screws,adjust the height and then connect the aluminum foil flue. Pls refer to picture Fig.1.



3. Fix the upper chimney to the metal outlet with 2 screws (M4X 10) .

