

Brandt

COOKER HOOD USER MANUAL INSTALLATION INSTRUCTION

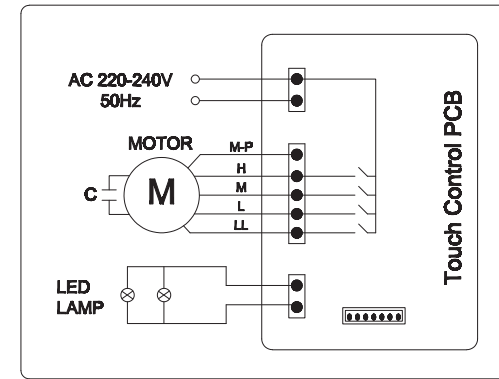
AD1200X

To avoid the risk of accidents or damage to the appliance
it is essential to read these instructions before
it is installed or used for the first time.

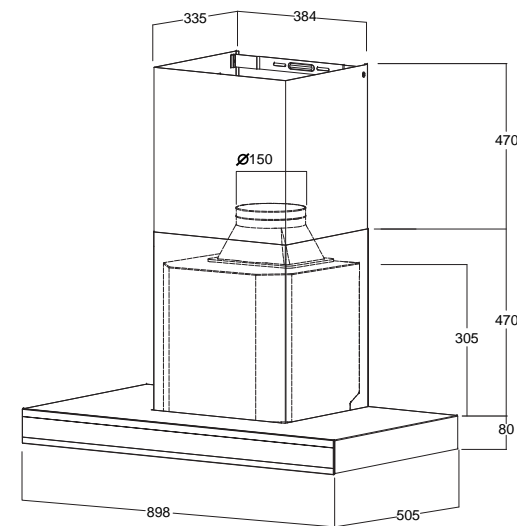
■ Table of Contents

| | |
|-----------------------------------|----|
| ● From the Manufacturer | 1 |
| ● Specifications | 1 |
| ● SAFETY: Read this First! | 2 |
| ● Vent System Requirements | 3 |
| ● Description of Parts | 4 |
| ● Ducting vs. Re-circulating mode | 5 |
| ● Re-circulating mode air outlet | 6 |
| ● Installation | 7 |
| ● Electrical Connection | 12 |
| ● Operation | 13 |
| ● Cleaning & Maintenance | 14 |
| ● Troubleshooting | 16 |
| ● Schematic Diagram | 17 |
| ● Dimension Drawing | 17 |

■ Schematic Diagram



■ Dimension drawing



■ Troubleshooting

| Symptoms | Possible Cause | Action |
|--------------------------------|---|--|
| Does not function | No electrical supply | Check that the plug is connected. |
| | | Check that the main switch is turned on. |
| Poor airflow | Aluminium grease filters clogged | Clean the filters and replace when dry |
| | Charcoal grease filters clogged | Replace charcoal filters with new sets |
| Motor running but no airflow | Butterfly valve jammed | Contact technician |
| Motor cuts after a few minutes | High temperature safety device activated | The kitchen is not sufficiently ventilated |
| | The hood is installed too near the cooking stove | The hood must be at least 65cm from stove |
| Strong cooking smell | Charcoal filters not installed/ are not operating optimally | In recirculation mode, charcoal filters must be installed. Otherwise, if charcoal filter is clogged, replace the charcoal filter |
| Oil dripping onto stove | Aluminium grease filter saturated | Wash the aluminium grease filters |
| Whirring sound | Foreign object in contact with fan blade | Contact technician |

■ From the Manufacturer

- This appliance and its packaging are produced by processes that minimize waste and respect the environment.
- Please help us to continue the protection of the environment by disposing of the packaging in a correct manner.

Safety!

- Cling film, polystyrene and plastic wrappings must be kept out of reach of babies and young children, to avoid the danger of suffocation.
- Electrical and electronic appliances often contain materials which, if handled or disposed incorrectly, could be potentially hazardous to human health and environment. Please do not dispose of your old appliance with your household waste.



- Please dispose it at your local community waste collection / recycling centre and ensure that it presents no danger to children while being stored for disposal.
- It should be unplugged or disconnected from the mains electricity supply by a competent person. If connected by a plug, the plug must be rendered useless and the cable cut off directly behind the appliance to prevent misuse.

■ Specifications

- Input : AC 220-240V 50Hz
- Motor : 1 x 220 W
- LED Light : 1 x 7W
- Total Power : 227 W
- Flow rate : 1200m³/h

■ SAFETY : Read this First !

- Check the appliance for damage before and after unpacking it.
- Do not connect the appliance if it has been damaged.
- Read this user manual thoroughly before attempting to use this appliance.
- This appliance may be used safely if it is correctly installed according to the provided safety instruction by a qualified installer. The installer is responsible for ensuring that the appliance works correctly at its installation location. Brandt Asia Pte Ltd is not liable for damage caused by incorrect installation or connection, and such damages are not covered under warranty.
- It is dangerous to modify any part of this appliance.
- Brandt Asia Pte Ltd is not liable for damages in case of failure to adopt proper safety measures.
- Ensure the location in which this appliance is installed is well ventilated.
- This appliance should not be used to ventilate a room.
- The distance between the bench top to the lower part of the hood is recommended to be between 650mm – 750mm.
- Use an electrical connector with earth that is suitable for your location.
- Check that the voltage in your location is suitable for supply to this product.
- The electrical connection of this appliance must be connected to earth.

Green & Yellow = EARTH

Blue = NEUTRAL

Brown = LIVE

- Multiple plugs and extension cables should not be used in conjunction at a time. Overload is dangerous and may cause a fire.
- Ensure that the power supply cord is away from any heat source or sharp objects.
- The product should be switched off and the electrical supply disconnected before any cleaning or maintenance work is carried out, or if the appliance is unused for extended periods.
- Remove all plastic covers or wrappings on the product and its attachments

CHARCOAL FILTER REPLACEMENT

Remove the charcoal filter from the blower as shown.

Fit in the new charcoal filter.

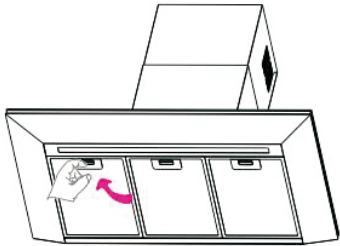


LED LIGHT REPLACEMENT

Before attempting to replace the light bulb, make sure that the light switch is turned off. Remove the grease filter to access the lamp area. Remove the damaged LED light and replace with a LED light maximum 5 W.

■ Cleaning & Maintenance

Decorative Steel Aluminum Filter



SURFACES:

Wash with warm soapy water and a soft sponge. Never use abrasive detergent, scouring pads, steel wool or solvents on any part of this appliance as this will cause irreparable damage.

Decorative Steel Aluminum Filter: Decorative Steel Aluminum Filter should be cleaned frequently in hot detergent solution or washed in the dishwasher. Clean exterior surfaces with a commercially available aluminum cleaner. Abrasives and scouring agents can scratch stainless steel finishes and should not be used to clean finished surfaces.

CHARCOAL FILTERS (only in recirculating model)

Charcoal filters cannot be reused. They must be replaced with the appropriate types once a year or depending on the frequency of appliance usage. For this appliance to function effectively, regular maintenance is a must. Clogged filters restrict airflow and may cause the motor to overheat.

(e.g. charcoal filters) before use.

- This product is intended for domestic use and the household environment only. The product is not intended for an outside use or in a commercial setting.
- Do not leave the product unattended during operation. Brandt Asie Pte is not liable for damage caused by improper use or incorrect operation.

■ Vent System

Determine which venting method is best for your application. Vented (non- recirculating) system terminates on the outside. Ductwork may be extended either through the wall or the roof. Do not terminate the vent system in an attic or other enclosed area.

Cleaning & Maintenance

SURFACES : Wash with warm soapy water and a soft sponge. Never use harsh or abrasive cleaning agents, cleaning agents with high alcohol content, hard scouring pads or cleaning sponges or high-pressure cleaners or steam cleaners on any part of this appliance as this will cause irreparable damage.

The length of the ductwork and the number of elbows should be kept to a minimum to optimise performance. The size of the ductwork should be uniform. Do not install two elbows together. Ensure all joints in the ductwork system are sealed well. Use caulking to seal exterior wall or floor opening around the cap.

■ Description of Parts

AD1200X

A.Metal Air Outlet (For recirculating mode)

B.Chimney Mouting Bracket (For ducting mode)

C.Upper Chimney Cover

D.Lower Chimney Cover

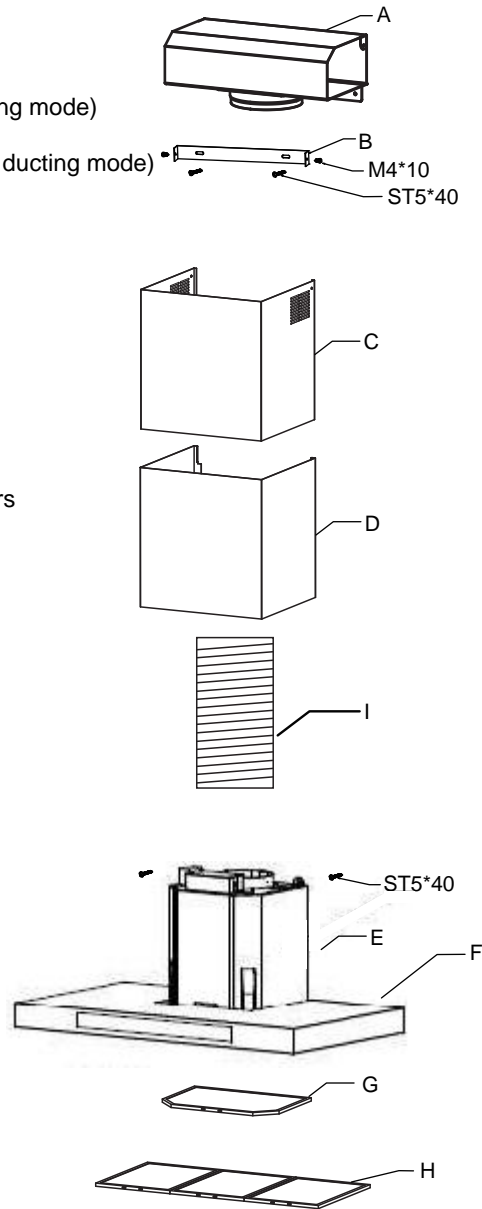
E.Motor Housing

F.Body

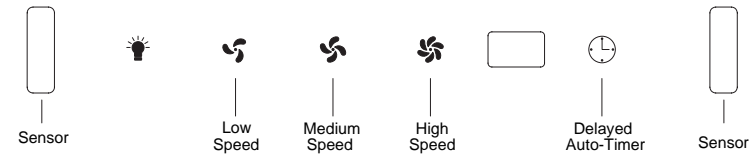
G.Aluminum Charcoal Filter

H.Stainless Steel Aluminum Filters

I.Plastic Pipe





Operation





The hood is equipped with 3 speed controls. Electronic controls are located on the front of the hood's control panel.


 **Light On/Off Button**
Switch the lighting system on and off.

 **On/Off and Low Speed function**
Switches the extractor motor on and off at low speed. Used to provide a continuous and silent air change in the presence of light cooking vapors.

 **On/Off and Medium Speed function**
Switches the extractor motor on and off at medium speed. Suitable for most operating conditions given the optimum treated air flow/ noise level ratio.

 **On/Off and High Speed function**
Switches the extractor motor on and off at high speed. Used for eliminating the highest cooking vapors emission.

 **Delay Timer function**
Switches the extractor motor off at the selected speed with 3 - 15 minutes of delayed timer. The blower will automatically switch off once the selected delayed timer is up.

 **Sensor**
To use the sensor function, swipe from left to right or vice versa over the Sensors located at the control panel. The action will allow the extractor to turn on its light and medium speed set as default. To turn off, swipe from left to right or vice versa over the Sensors located at the control panel.

■ Electrical Connection

Before completing any connection, make sure the house voltage corresponds with the voltage indicated on the label affixed inside the hood.

Only a licensed professional may connect and install appliances. Damage caused by improper installation is not covered under warranty.

- **Appliance fitted with plug**

Connect it to a socket which conforms with current regulations. If you intend to connect it directly to the electric mains, remove the plug and fit an approved bipolar switch with a minimum contact opening of not less than 3mm.

- **Appliance without plug**

Fit an approved plug or a bipolar switch with a minimum contact opening of no less than 3mm.

Direct connection installations must be handled by licensed professionals. Brandt Asie Pte Ltd is not liable for damages caused by improper handling and installation of the appliance.

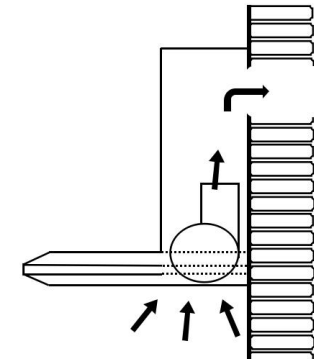
■ DUCTING VS. RECIRCULATING MODE

You can choose to install the hood as a ducting or recirculating mode:

- **Ducting mode (Vented mode)**

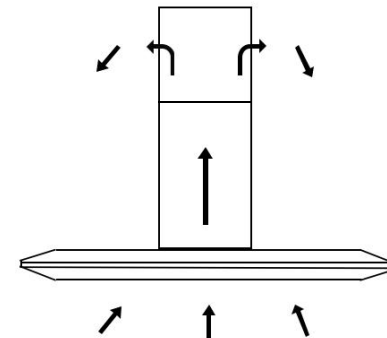
In the ducting mode, air is drawn into the hood, fats are trapped by aluminum filters.

Odors, fumes and condensation are then expelled to the outside. In this mode, only the aluminum filters are installed.



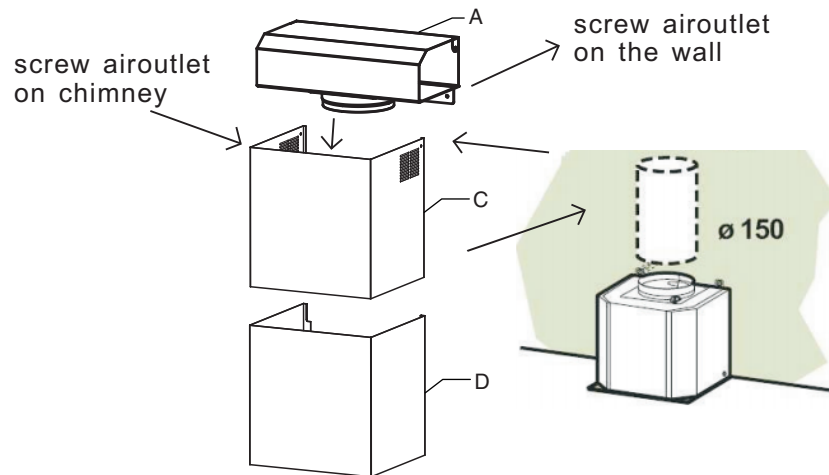
- **Recirculating mode**

In the recirculating mode, air is drawn into the hood, fats are trapped by the filters, the air then passes through charcoal filters to remove cooking odors, the purified air is then passed back into the kitchen. In this mode, both the aluminium filters and the charcoal filters must be installed.

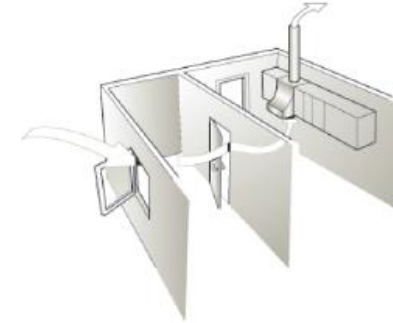


■ RECIRCULATING MODE AIR OUTLET

- Insert the connection extension pieces laterally in air outlet connection.
- Make sure that the outlet of the extension pieces is horizontally and vertically aligned with the chimney outlets.
- Connect the air outlet connection to the hood body outlet using either a flexible or rigid pipe with \varnothing 150mm.*
- Ensure that the activated charcoal filters have been inserted.



3. Try to open the Windows when used the cooker hood so air can flow.



Mounting the hood body

- Before attaching the hood body, tighten the two screws **Vr** located on the hood body mounting points.
- Hook the hood body onto the support screws.
- Fully tighten the support screws.
- Adjust screws **Vr** to level the hood body.

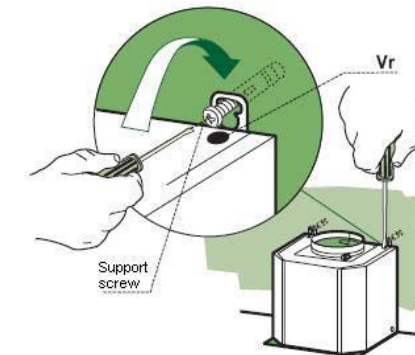
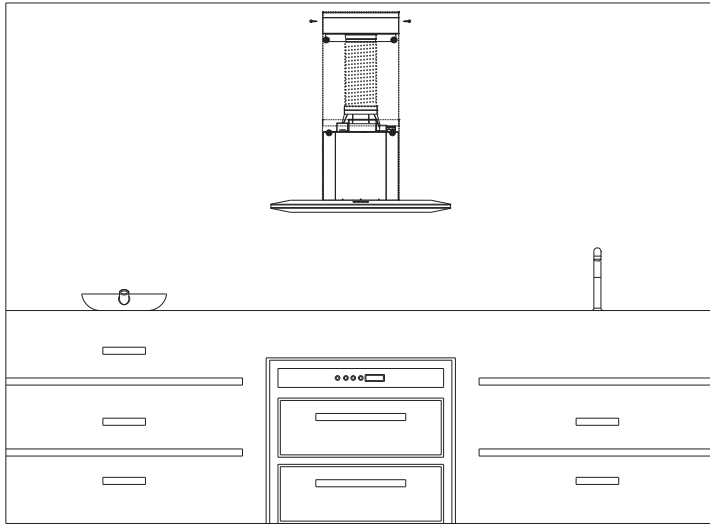


Fig.1

3. Fix the upper chimney to the metal outlet with 2 screws (M4X 10) .



■ Installation

Safety precautions:

Do not install the cooker hood where there are many doors or windows in order to avoid affecting the exhaust efficiency of the hood caused by air flow.

Install the cooker hood right above the hob. The recommended distance between the hob and the lower edge of the cooker hood is minimum 650mm and maximum 750mm.

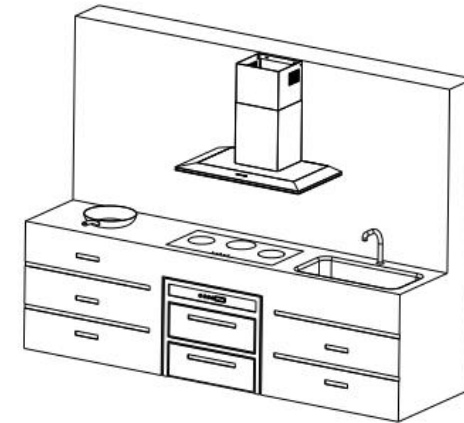
In order to get the optimum performance, do not elongate the exhaust pipe too long, and try to make the bend of exhaust pipe less. Ensure the connection is airtight.

After hanging the unit on the wall, ensure the hood is level and vertical.

The air outlet must not be connected to chimney flues or combustion gas ducts.

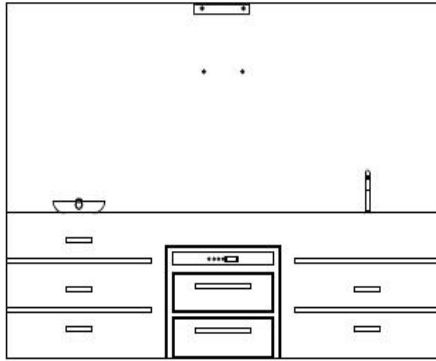
The air outlet must under no circumstances be connected to ventilation ducts for room in which fuel-burning appliances are installed.

Installation diagram

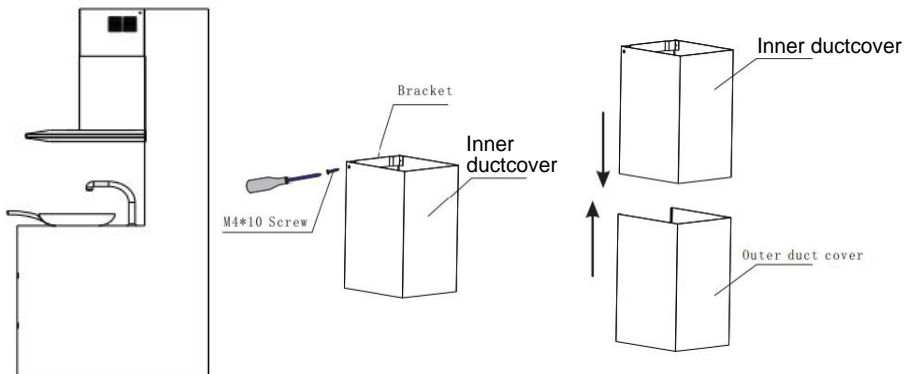


DUCTING MODE

1. Wall drilling and bracket fixing: Secure the sides of the brackets using 4 screws (ST5X40) and screws wall plug (8x40) supplied.

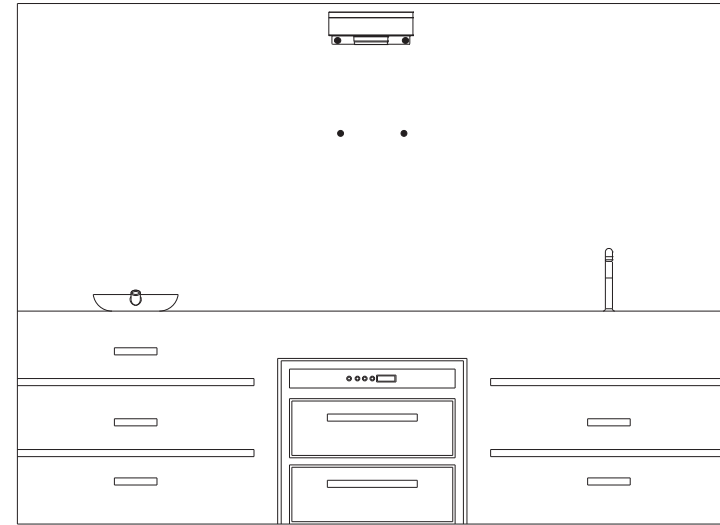


2. Fix the cooker hood and Upper & Bottom chimney in the wall with screws: Secure the sides of the brackets using the 2 screws (M4X10) supplied.



RECIRCULATING MODE

Wall drilling and metal air outlet fixing: secure the sides of the brackets using the 4 screws (ST5 X 40) and the wall plug screws (8x40) supplied).



2. Hook the hood body onto the support screws, adjust the height and then connect the Plastic pipe. Pls refer to picture Fig. 1.

