

SPECIFICATIONS

- 54 bottles capacity (Bordeaux type)
- Free standing OR built into the cabinet
- Electronic control
- R600 gas
- Climate class - T
- Single temperature zone
 - 5°C - 20°C
- Internal LED lighting
- Heated / Triple layer glass door
- Recessed handle
- 5 wooden shelves
- Bottom ventilation louvers



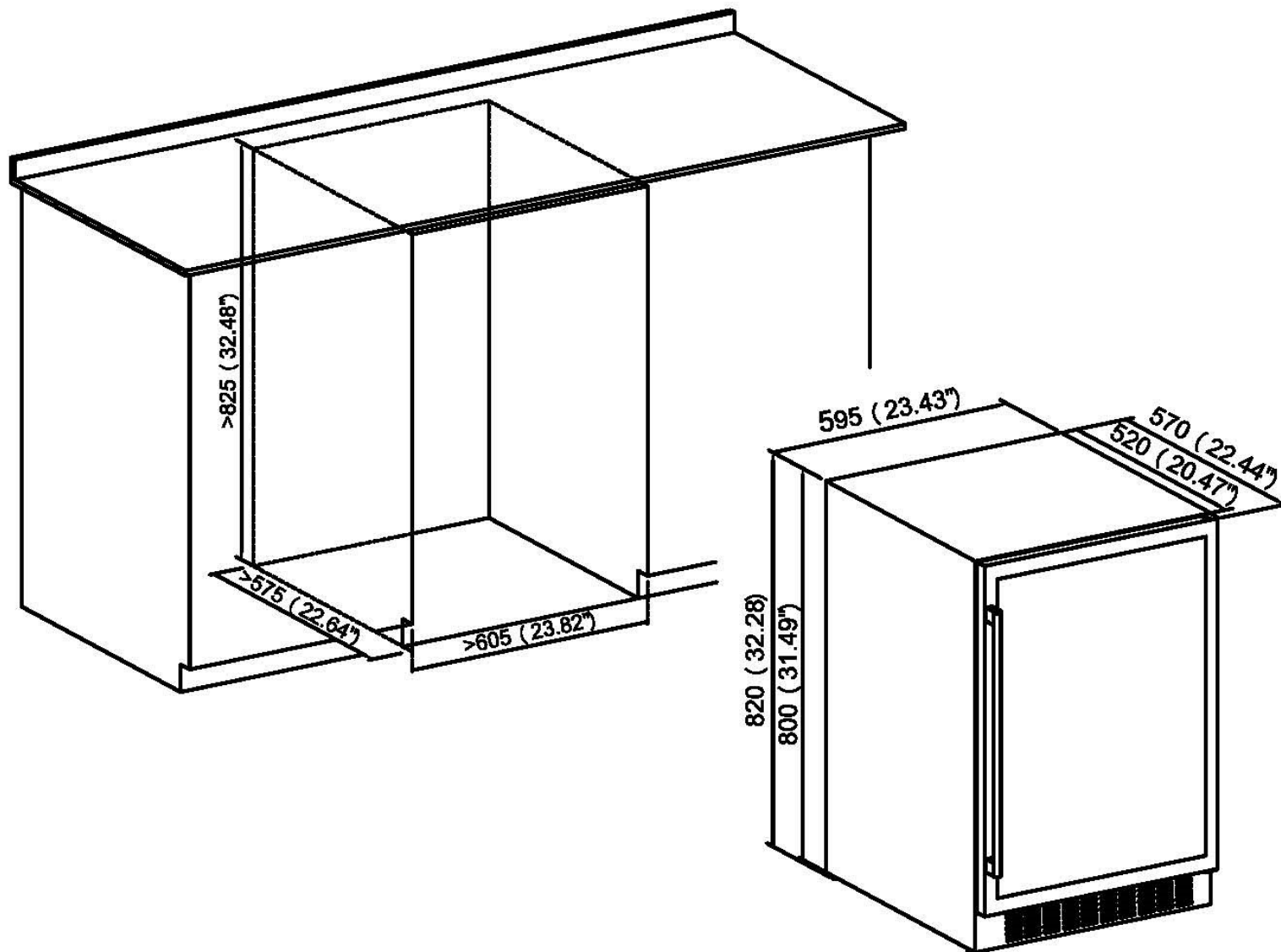
ELECTRICAL CONNECTIONS

- Maximum electric power (W): TBA
- Current (A): TBA
- Voltage (V): 220 – 240
- Frequency (Hz): 50
- Length of electrical supply cord (cm): TBA
- Type of plug: British

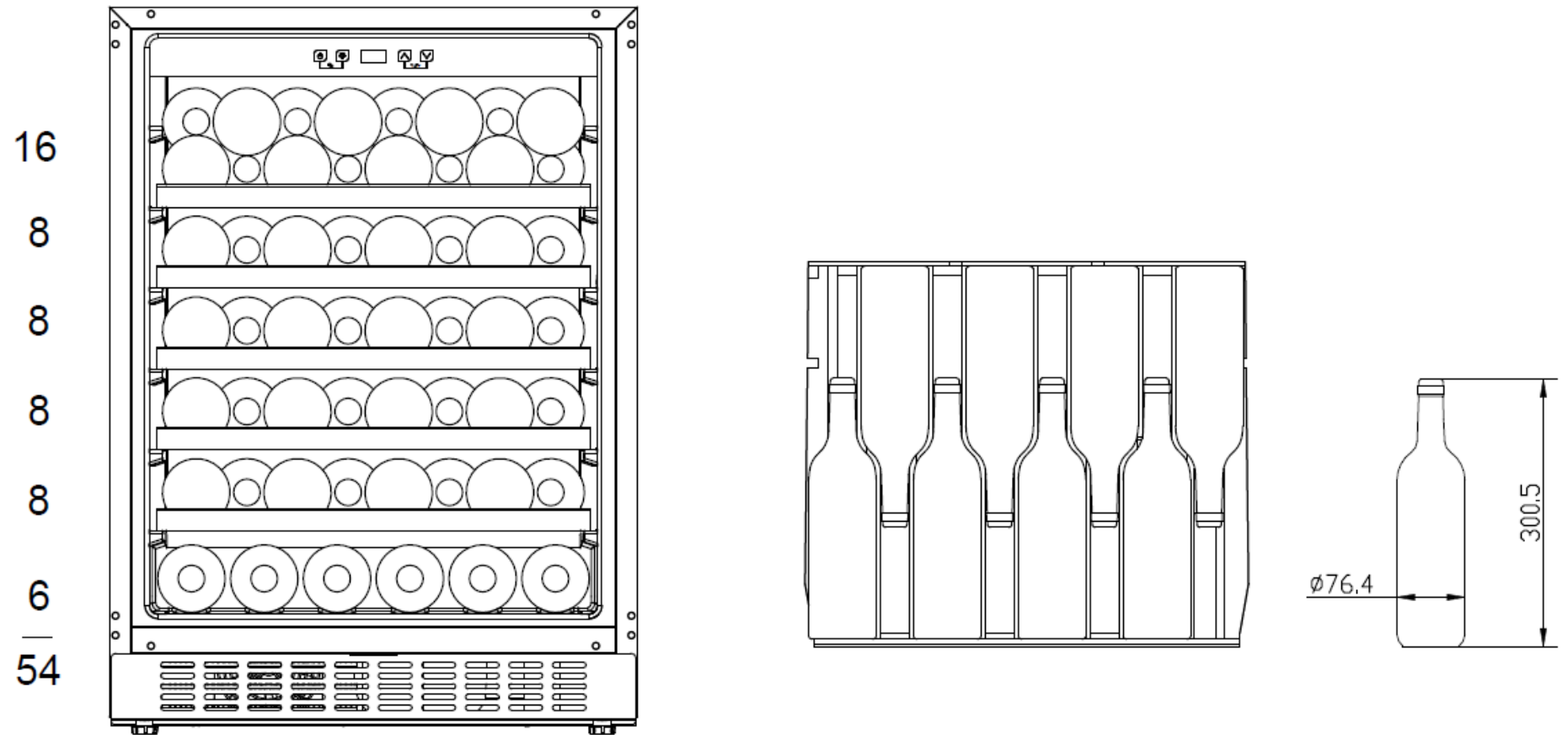
DIMENSIONS

- Actual dimensions (mm): H820 x W595 x D570
- Built In dimension(mm): >H825 x >W605 x >D575
- Net weight (kg): 39

INSTALLATION DIAGRAM



LOADING PLANS



Loading plan based on traditional Bordeaux 750ml bottles