

60CM HYDROLYSE OVEN BOH1325BB

Brandt

SPECIFICATIONS

- Built-in
- Cooking mode: Multi-function+
- Type of cleaning: Hydrolysis
- Color: Black steel
- Control panel: External electronics
- Type of control: Electronic button + 2 knobs
- Type of door: Ventilated
- Capacity (L): 73
- Enamelled Cavity
- 8 Cooking modes



60CM HYDROLYSE OVEN BOH1325BB

Brandt

ACCESSORIES

- Type of side racks: Wire
- Number of racks: 1
- Number of grids: 1
- Number of drip tray: 1x 45mm
- Number of small hydrolysis tray: 1

ELECTRICAL CONNECTIONS

- Maximum electric power (W): 3100
- Current (A): 16
- Voltage (V): 220 -240
- Frequency (Hz): 50 / 60
- Length of power supply cord (cm): 120
- Plug type: Without

DIMENSIONS

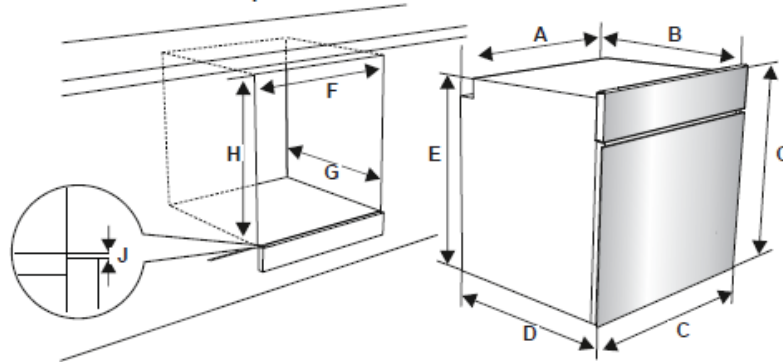
- Dimension of product (mm): H595 x W595 x D575
- Built-in dimensions (mm): H590-600 x W560-580 x D555
- Dimensions of packed product (mm): H650 x W640 x D650
- Net weight (kg): 36.38
- Gross weight (kg): 38.2

60CM HYDROLYSE OVEN BOH1325BB

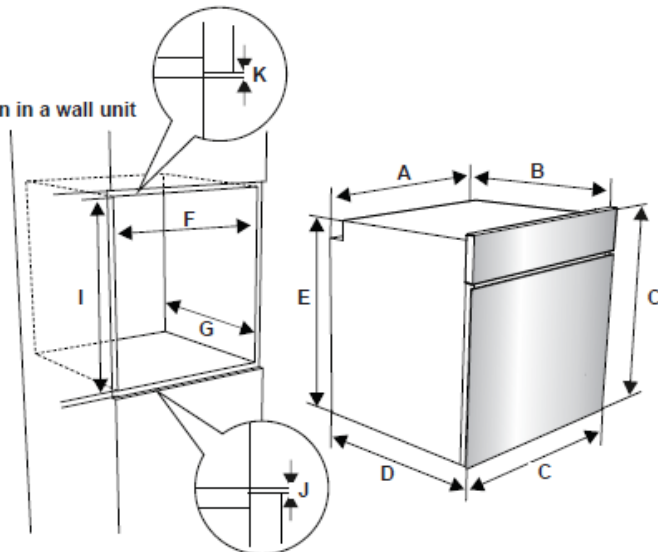
Brandt

INSTALLATION DIAGRAM

Installation under a worktop



Installation in a wall unit



A (mm)	557	min./max. F (mm)	560/580
B (mm)	550	min. G (mm)	555
C (mm)	595	min. H/I (mm)	600/590
D (mm)	575	min. J/K (mm)	5/10
E (mm)	576		