

SPECIFICATIONS

- 171 bottles capacity (Bordeaux type)
- Free standing OR built into the cabinet
- Electronic control
- R600 gas
- Climate class - T
- Dual temperature zones
 - Upper zone 5°C - 22°C
 - Lower zone 5°C - 22°C
- Internal LED lighting
- Recessed handles
- Heated / Triple layer glass door
- 8 wooden shelves
- Bottom Ventilation Louvers



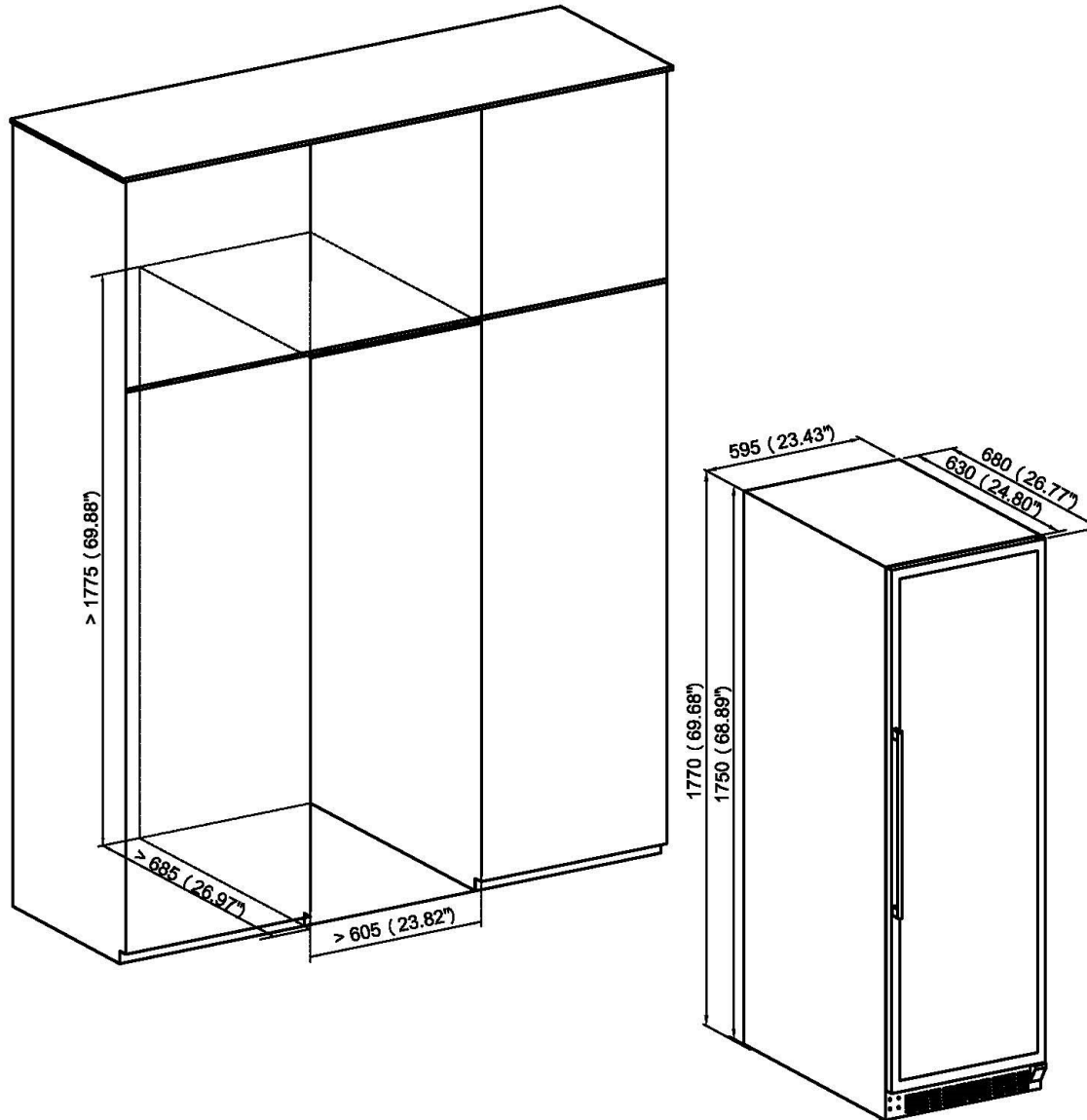
ELECTRICAL CONNECTIONS

- Maximum electric power (W): TBA
- Current (A): TBA
- Voltage (V): 220 – 240
- Frequency (Hz): 50
- Length of electrical supply cord (cm): TBA
- Type of plug: British

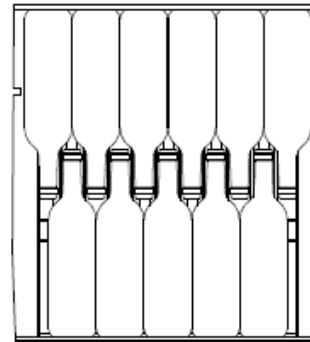
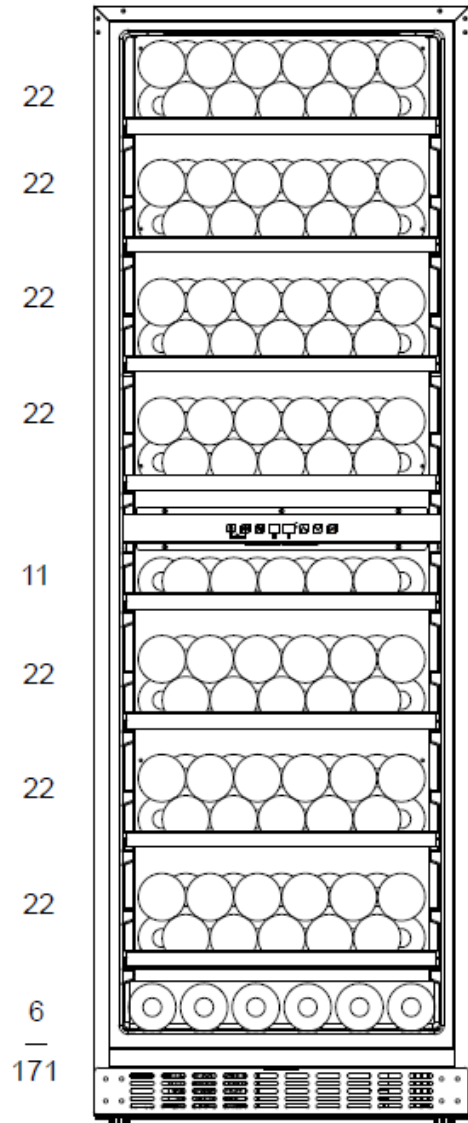
DIMENSIONS

- Dimension of product (mm): H1770 x W595 x D680
- Net weight (kg): 90

INSTALLATION DIAGRAM



LOADING PLANS



ditional Bordeaux 750ml bottles